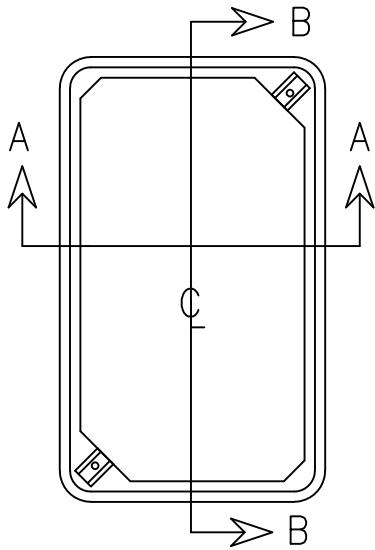
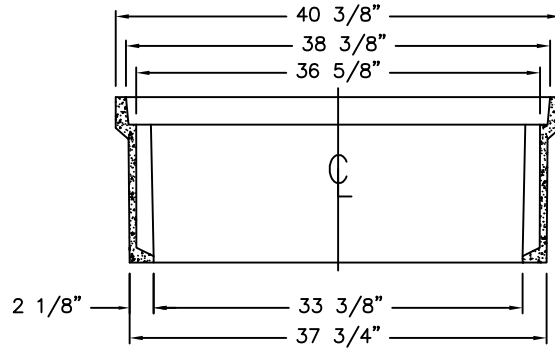


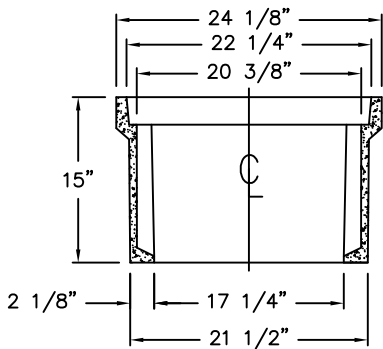
APPROX. WT. = 114 LBS.



TOP VIEW

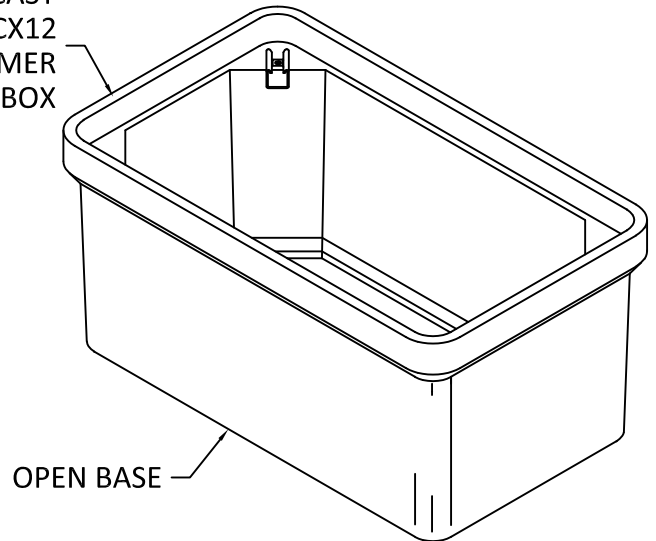


SECTION B-B



SECTION A-A

ARMORCAST
A6001640PCX12
POLYMER
CONCRETE BOX



Traffic Rated Meter Box - 1 1/2" & 2" Meter

CITY OF
WILSONVILLE

DRAWING NUMBER: WT-3053

DRAWN BY: SR

SCALE: N.T.S.

FILE NAME: WT-3053.DWG

APPROVED BY: NK

DATE: 6/4/14

PUBLIC WORKS STANDARDS

