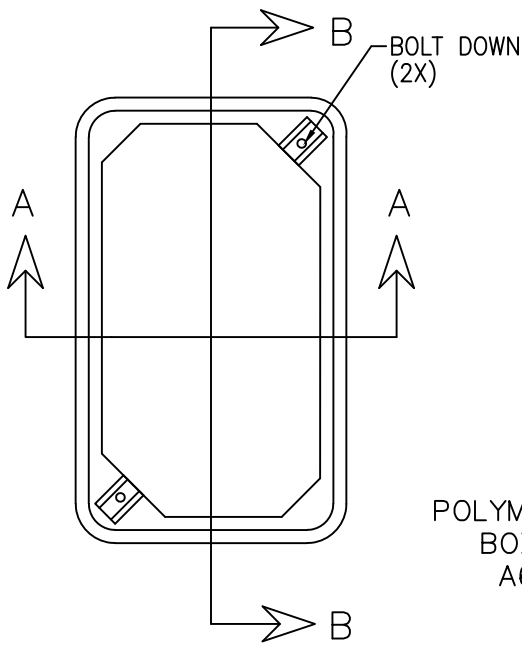
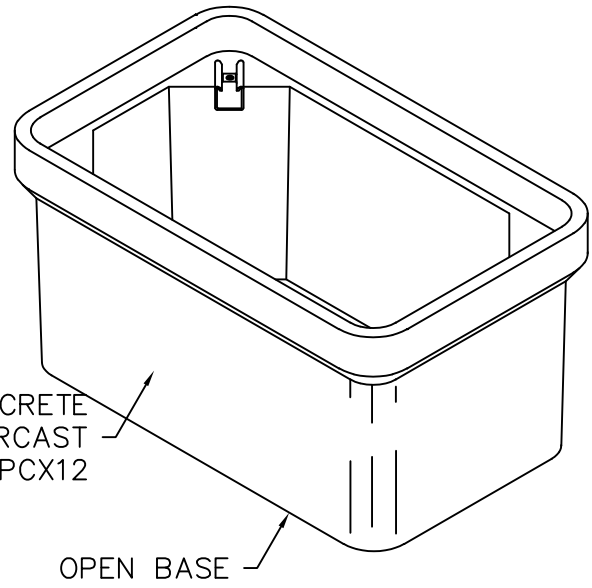


This Detail Drawing may not be altered or changed in any manner except by the City Engineer. It is the responsibility of the user to acquire the most current version.

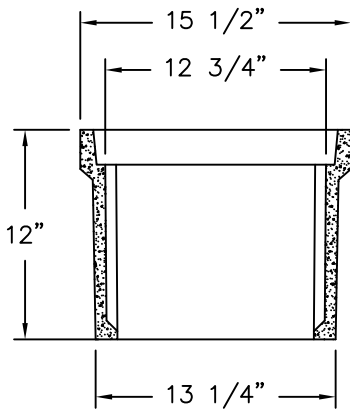


TOP VIEW

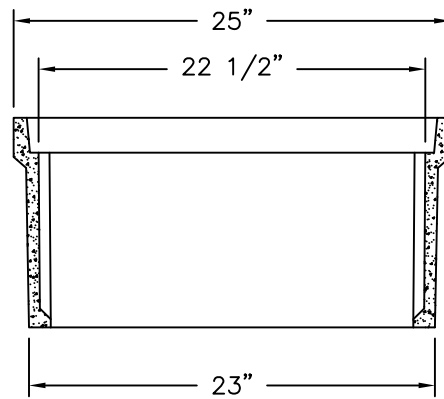


POLYMER CONCRETE  
BOX ARMORCAST  
A6001946PCX12

OPEN BASE



SECTION A-A



SECTION B-B

Traffic Rated Meter Box - 3/4" & 1" Meter

DRAWING NUMBER: WT-3038

DRAWN BY: SR

SCALE: N.T.S.

FILE NAME: WT-3038.DWG

APPROVED BY: NK

DATE: 6/4/14

CITY OF  
WILSONVILLE



PUBLIC WORKS STANDARDS