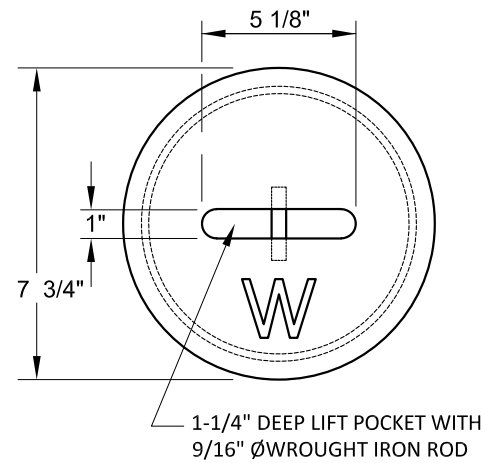
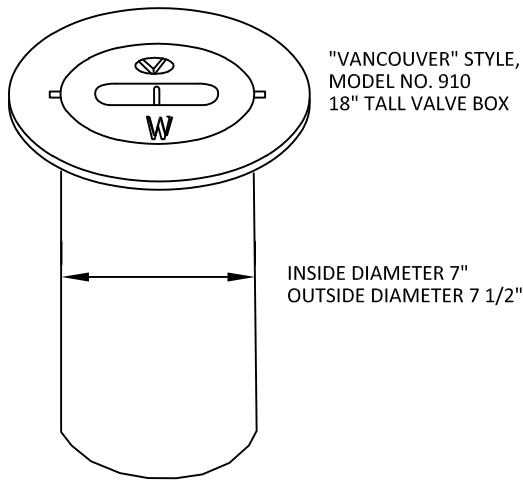
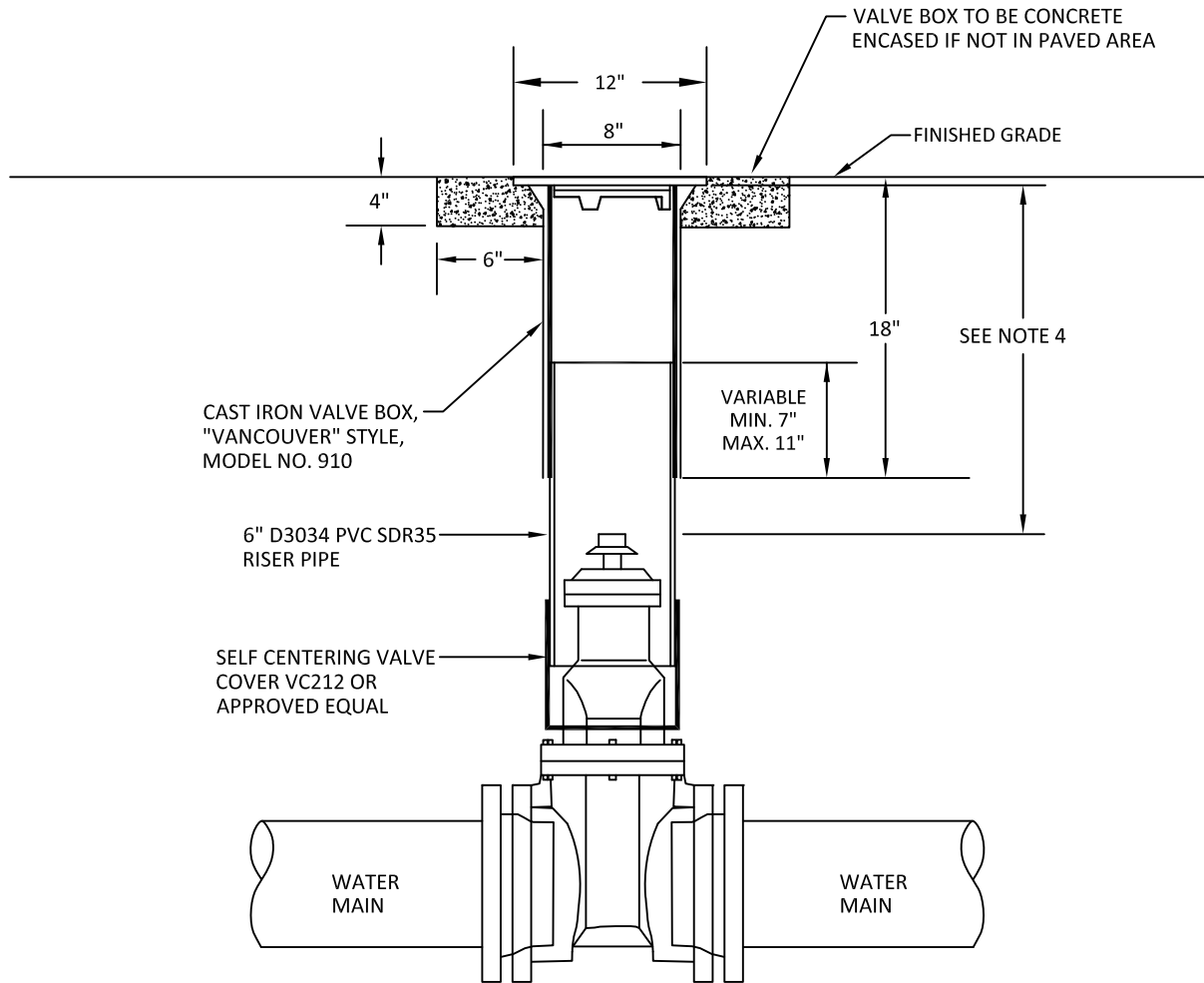


This Detail Drawing may not be altered or changed in any manner except by the City Engineer. It is the responsibility of the user to acquire the most current version.



COVER PLAN

NOTES:

1. VALVE BOXES SHALL BE CENTERED DIRECTLY OVER THE VALVE NUT IN A VERTICAL POSITION.
2. VALVE BOX TOP SHALL BE ADJUSTED TO MEET FINISHED GRADE.
3. PVC RISER SHALL BE ONE CONTINUOUS PIECE
- NO BELLS OR COUPLERS.
4. WHERE DEPTH OF OPERATING NUT IS GREATER THAN 3 FEET PROVIDE OPERATING EXTENSION TO A POINT 18" BELOW FINISH GRADE AS PER DETAIL WT-3015.
5. VALVE BOXES SHALL BE MANUFACTURED USING DOMESTIC CAST IRON ONLY.

Standard Valve Box and Lid

DRAWING NUMBER: WT-3020

DRAWN BY: SR

SCALE: N.T.S.

FILE NAME: WT-3020.DWG

APPROVED BY: NK

DATE: 6/4/14

**CITY OF
WILSONVILLE**



PUBLIC WORKS STANDARDS