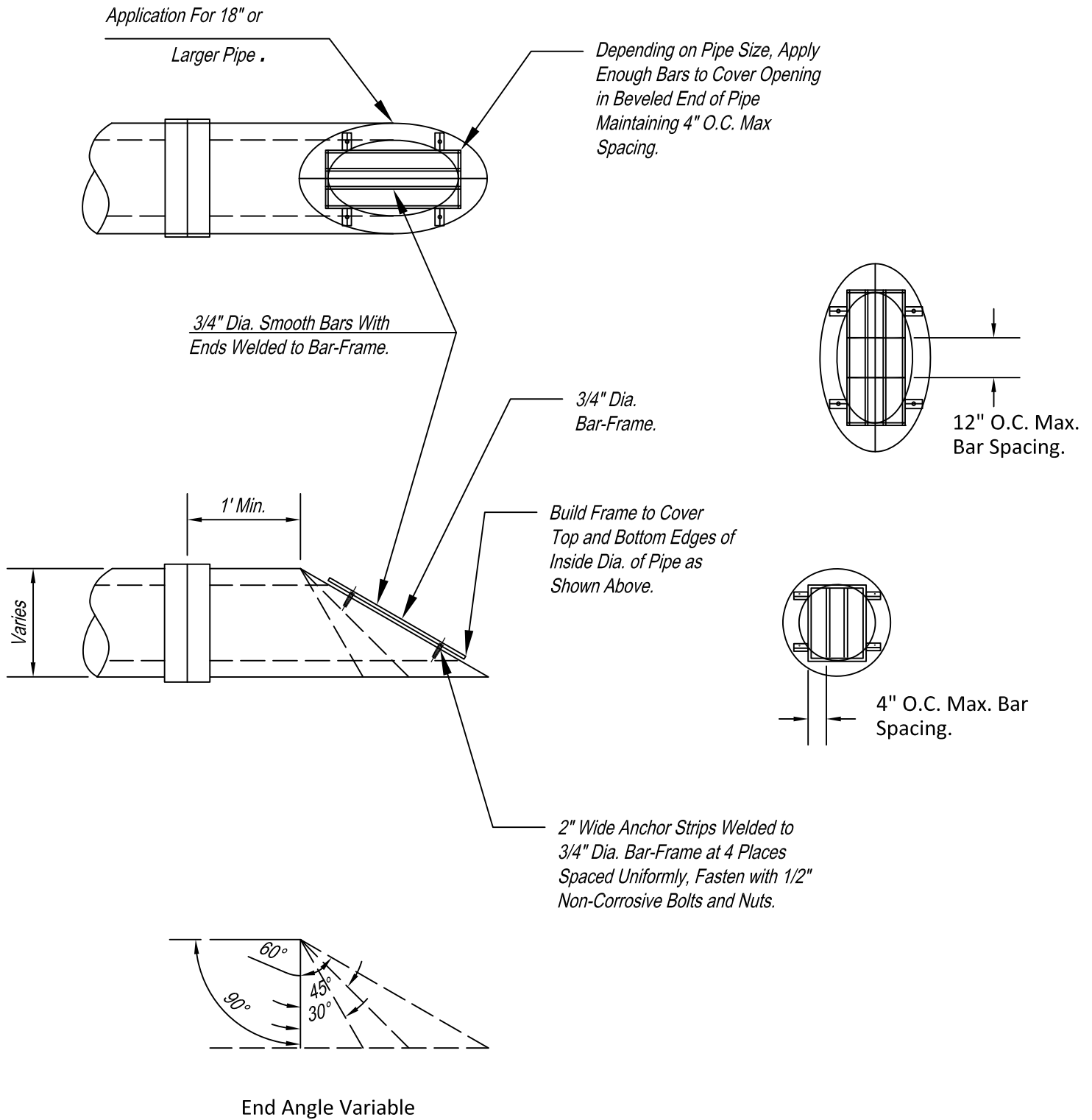


This Detail Drawing may not be altered or changed in any manner except by the City Engineer. It is the responsibility of the user to acquire the most current version.



Grated Outfall Pipe

DRAWING NUMBER: S-2115

DRAWN BY: SR

SCALE: N.T.S.

FILE NAME: S-2115.DWG

APPROVED BY: NK

DATE: 6/4/14

CITY OF WILSONVILLE



PUBLIC WORKS STANDARDS