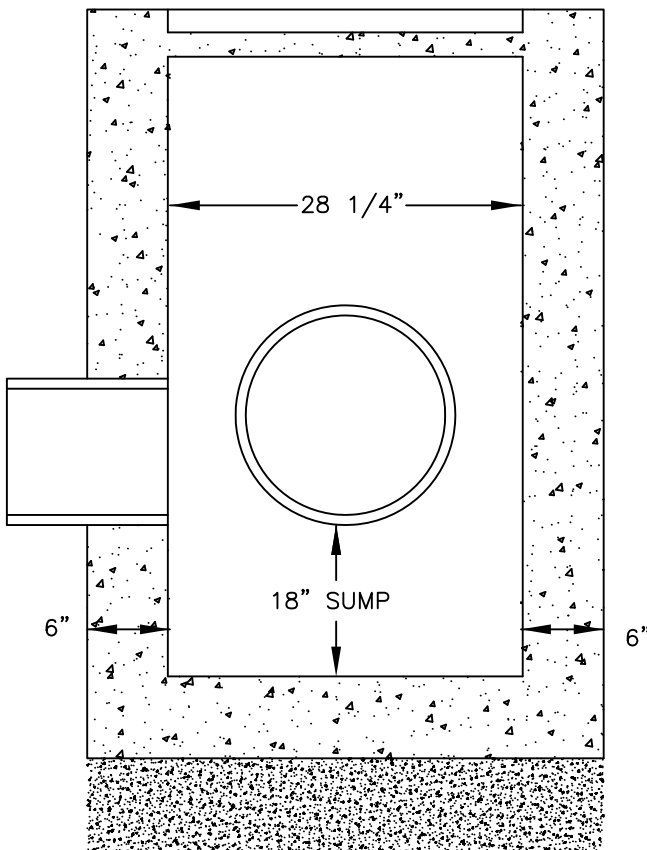
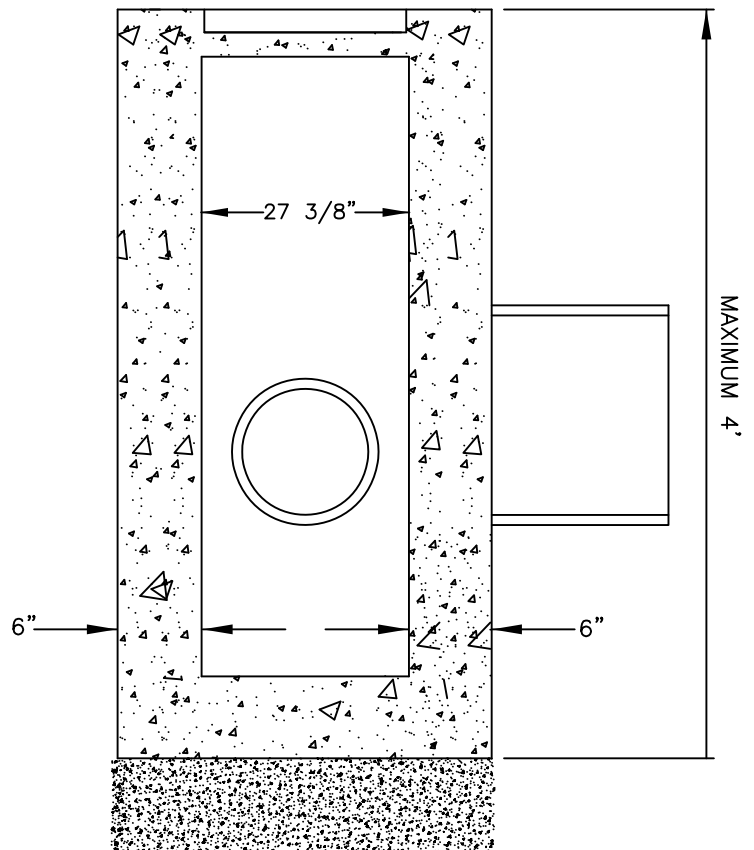


SEE DRAWING NO. S-2100  
FOR FRAME AND GRATE

PLAN VIEW



FRONT VIEW



SIDE VIEW

8" OF  
COMPACTED  
3/4"-0  
CRUSHED  
ROCK

NOTES:

1. AREA DRAIN CONSTRUCTION IN ACCORDANCE WITH ASTM C-478.
2. 8" OF COMPACTED 3/4"-0 CRUSHED ROCK BASE MATERIAL.
3. PRECAST SHALL HAVE MINIMUM WALL THICKNESS OF 5", REINFORCEMENT TO BE REBAR MEETING ASTM A615 GRADE 60 OR WELDED WIRE MEETING ASTM A497.
4. CONCRETE SHALL ATTAIN A MIN. COMPRESSIVE STRENGTH OF 3000 PSI IN 28 DAYS.

Area Drain (Type 2)

CITY OF  
WILSONVILLE



DRAWING NUMBER: S-2110

DRAWN BY: SR

SCALE: N.T.S.

FILE NAME: S-2110.DWG

APPROVED BY: NK

DATE: 6/4/14

PUBLIC WORKS STANDARDS