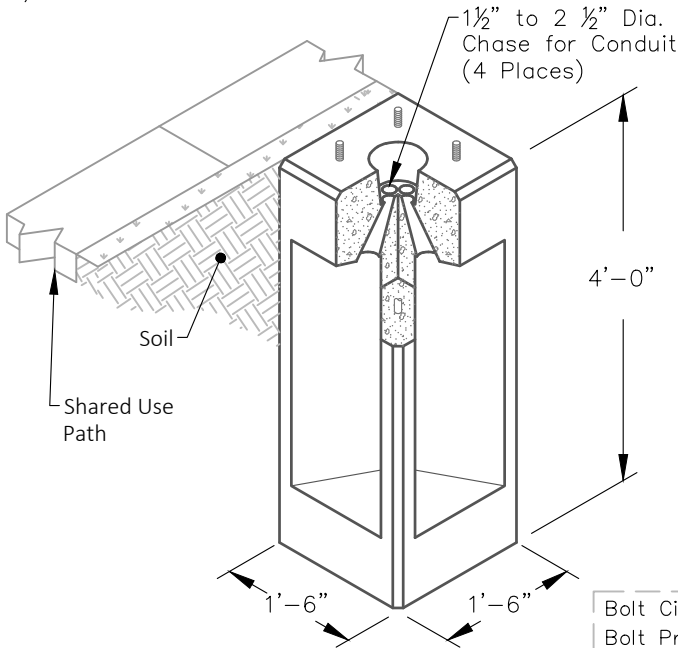


This Detail Drawing may not be altered or changed in any manner except by the City Engineer. It is the responsibility of the user to acquire the most current version.

LAMP POLE FOOTING SPECIFICATIONS

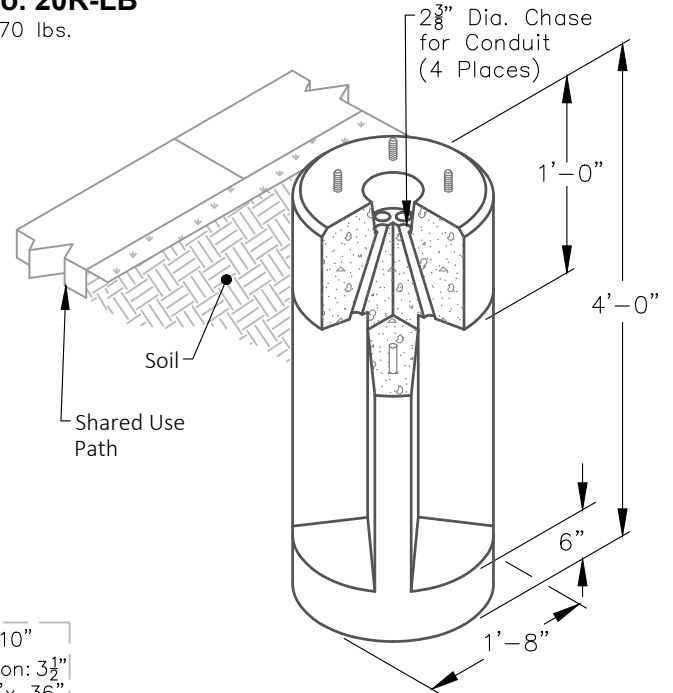
No. 4-LB

1,080 lbs.



No. 20R-LB

870 lbs.



Bolt Circle: 10"
 Bolt Projection: 3 1/2"
 Bolt Size: 1" x 36"

- 1 ALL CONCRETE FOOTINGS NEED TO BE INSTALLED WITH TOP OF BASE FLUSH TO SHARED-USE PATH. COMPACTED 3/4-0" CRUSHED ROCK BACKFILL IS REQUIRED AROUND FOOTINGS, 12" ALL DIRECTIONS, REGARDLESS OF SOIL CONDITION TO MAINTAIN PROPER POLE ALIGNMENT.
- 2 ANCHOR BOLT SIZE AND SPACING AS SHOWN CUSTOMER TO SUPPLY (4 PLACES IN TOP) BOLT CIRCLE - 10" DIA, 1" X 36" NC GALV STEEL, 3-1/2" BOLT PROJECTION.
- 3 THE AIR GAP, IF ANY EXISTS BETWEEN THE TOP OF THE FOOTING/PEDESTAL AND THE BOTTOM OF THE POLE SHALL BE GROUTED WITH HIGH STRENGTH, NON-SHRINK GROUT, SUCH AS ALCRETE TWENTY MINUTE FAST SETTING GROUT, OR APPROVED EQUAL, MEETING ODOT SSC SECTION 02440.50(b).
- 5 DIRECTIONAL BORING REQUIREMENTS: BLACK HDPE (HIGH DENSITY POLYETHYLENE) DUCT OR SCHEDULE 40 PVC WITH A MECHANICAL CONNECTION (CERTA-LOK OR LIKE MECHANICAL CONNECTION PRODUCT) PROJECT EXTRUDED RED STRIPES (WHICH IS A SPECIFICATION REQUIREMENT). MANDREL TEST OF HDPE PIPE IS REQUIRED AFTER INSTALLATION WITH CITY INSPECTOR PRESENT.
- 6 TRENCH AND ELBOW CONFIGURATIONS, ALL CONDUIT, JUNCTION BOX AND PAD INSTALLATIONS MUST BE INSPECTED PRIOR TO BACKFILLING.

Shared-Use Path Lighting – Precast Concrete Footing

DRAWING NO:	RD-1340	DRAFTED BY:	S. SHORTES	REV	DATE	APPR
FILE NAME:	RD-1340.DWG	APPROVED BY:	Z. WEIGEL	1	06/2021	ZJW
SCALE:	NTS	EFFECTIVE DATE:	6/10/2021			

CITY OF

WILSONVILLE
OREGON

PUBLIC WORKS STANDARDS

