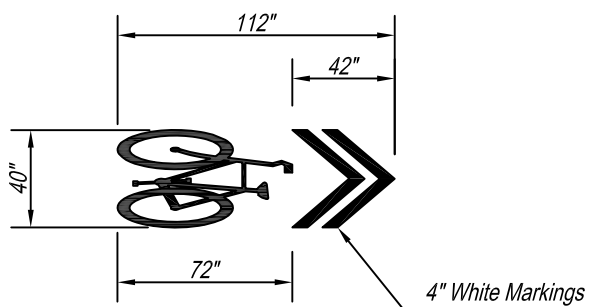


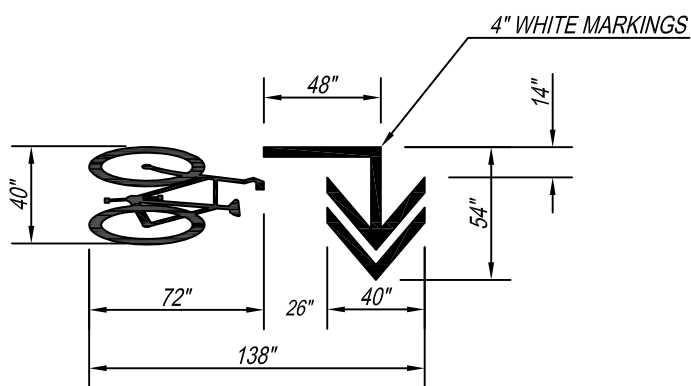
LEFT TURN SHARROW (WHITE)



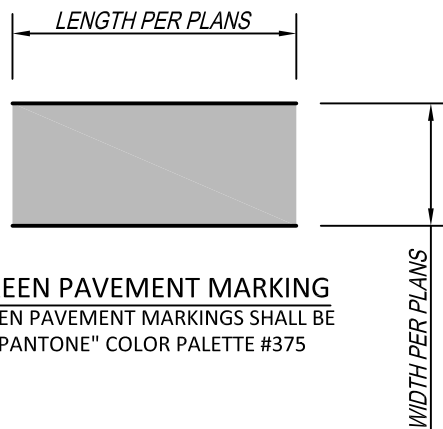
SHARROW (WHITE)

SHARROW NOTES:

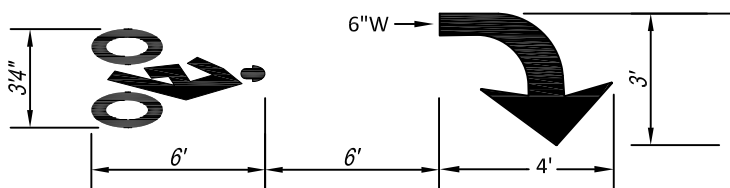
1. ON STREET PARKING: CENTER SHARROW 11.5' FROM CURB FACE.
2. NO ON-STREET PARKING: CENTER SHARROW 4.5' FROM CURB FACE.
3. PLACE SHARROWS AFTER INTERSECTION, 10 FEET PAST EXTENDED BACK OF WALK OR 25 FEET PAST EXTEND CURB LINE.
4. SPACE SHARROWS NOT GREATER THAN 250 FEET



RIGHT TURN SHARROW (WHITE)

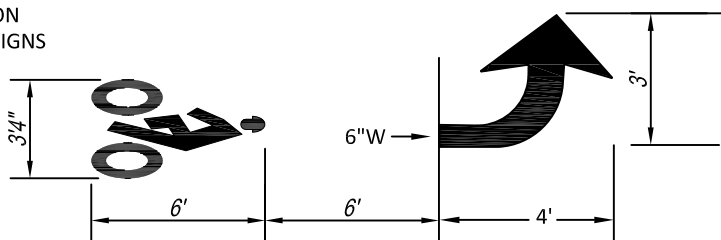


GREEN PAVEMENT MARKING
GREEN PAVEMENT MARKINGS SHALL BE
"PANTONE" COLOR PALETTE #375



BIKE RIGHT TURN STENCIL (WHITE)

CENTER MARKING WITHIN LANE WIDTH FOR PROPORTION
DETAILS, SEE CURRENT VERSION OF STANDARD HIGHWAY SIGNS



BIKE LEFT TURN STENCIL (WHITE)

CENTER MARKING WITHIN LANE WIDTH FOR PROPORTION
DETAILS, SEE CURRENT VERSION OF STANDARD HIGHWAY SIGNS

