

SUMMARY DRAWING

SUMMARY - BUILDING SIGNS & MENUS

DRAWING #:
29642

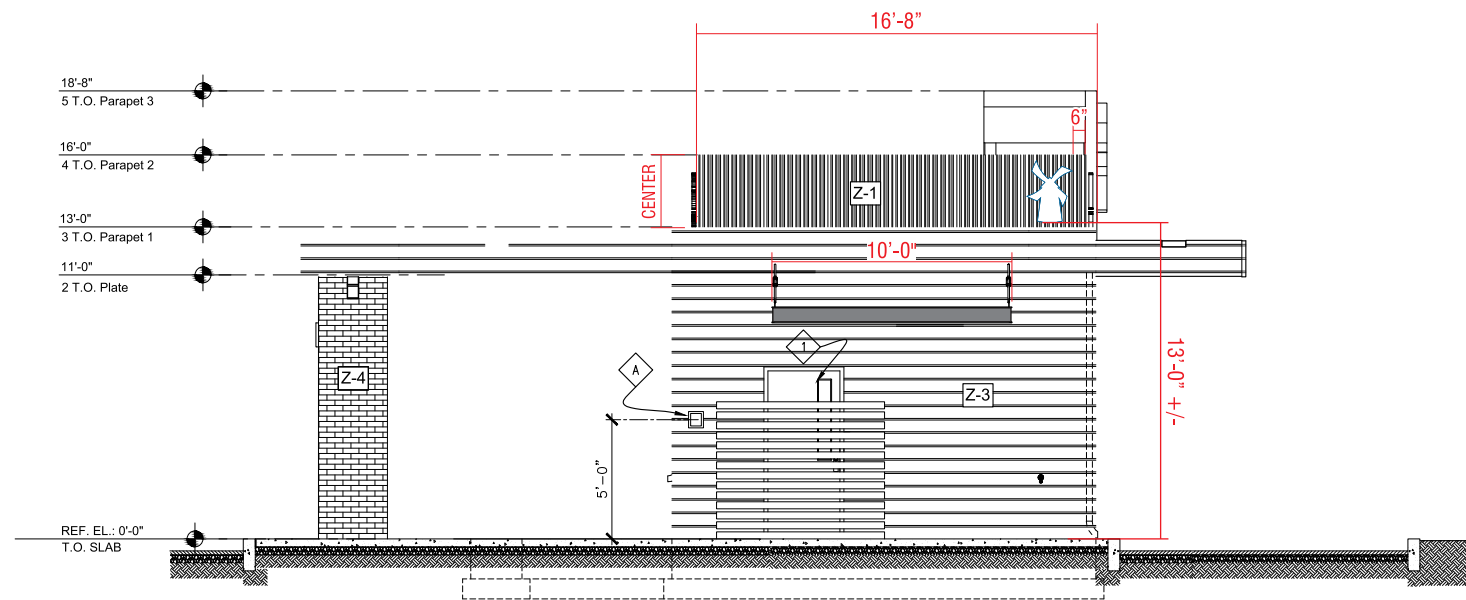
CLIENT:
DUTCH BROS - OR2606
29702 SW TOWN CENTER LOOP
WILSONVILLE, OR 97070

DATE OF SHOP DRAWING:
9/5/19

SHOP REVISIONS:
10.30.19 REMOVED ONE DBCL7 &
ONE DBW10.

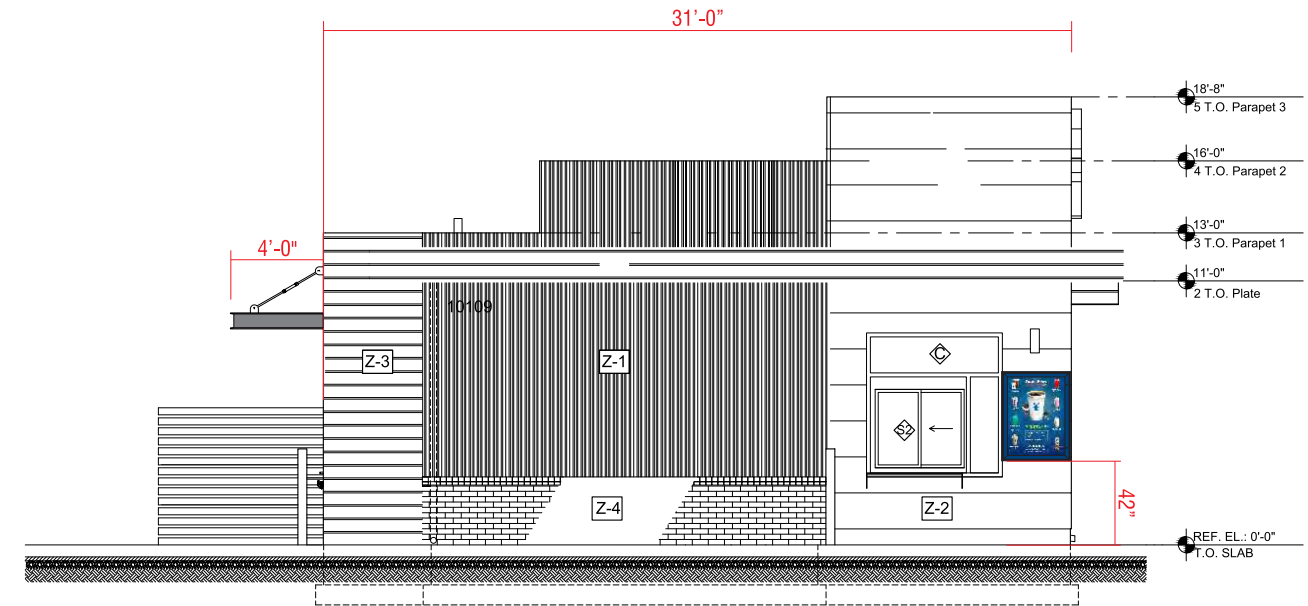
SALES:	CONCEPT DESIGN:	PROD. DESIGN:	PAGE NO:
NJ	CH	CH	I of 2

ES&A SIGN & AWNING
89975 PRAIRIE RD. | EUGENE, OR 97402
P 541.485.5546 | F 541.485.5813



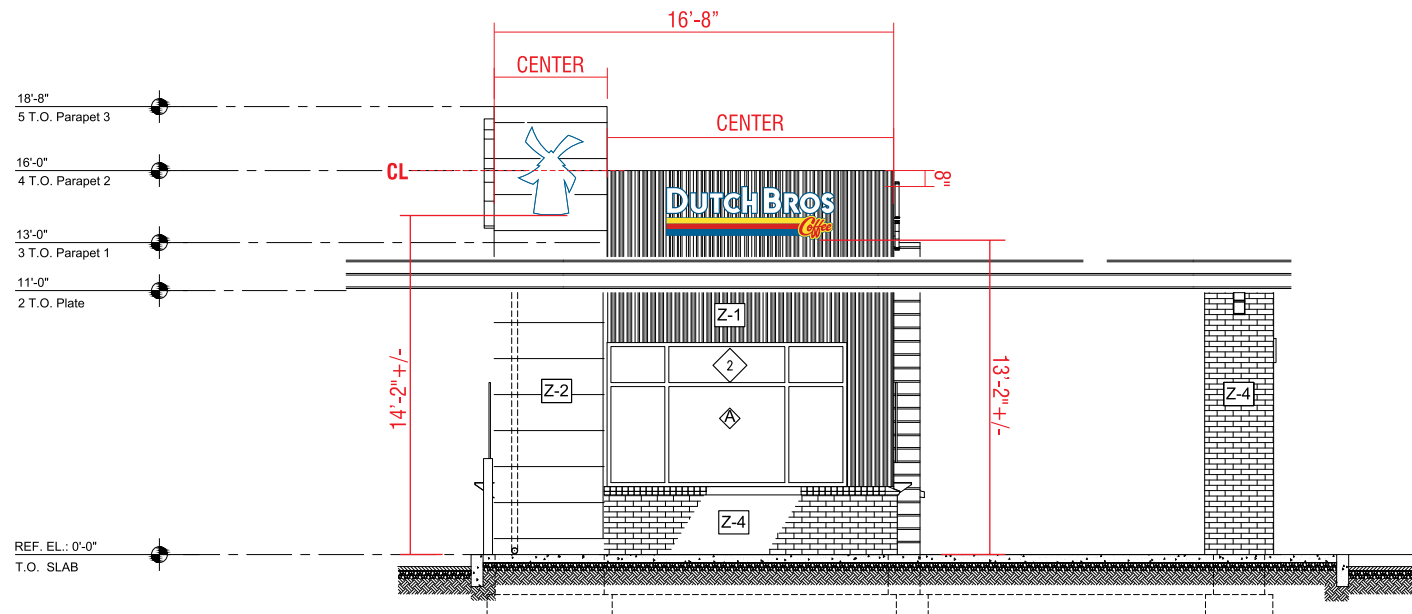
WEST ELEVATION
SCALE: 1/8"=1'-0"

24 SF ALLOWED
5.1 SF PROPOSED



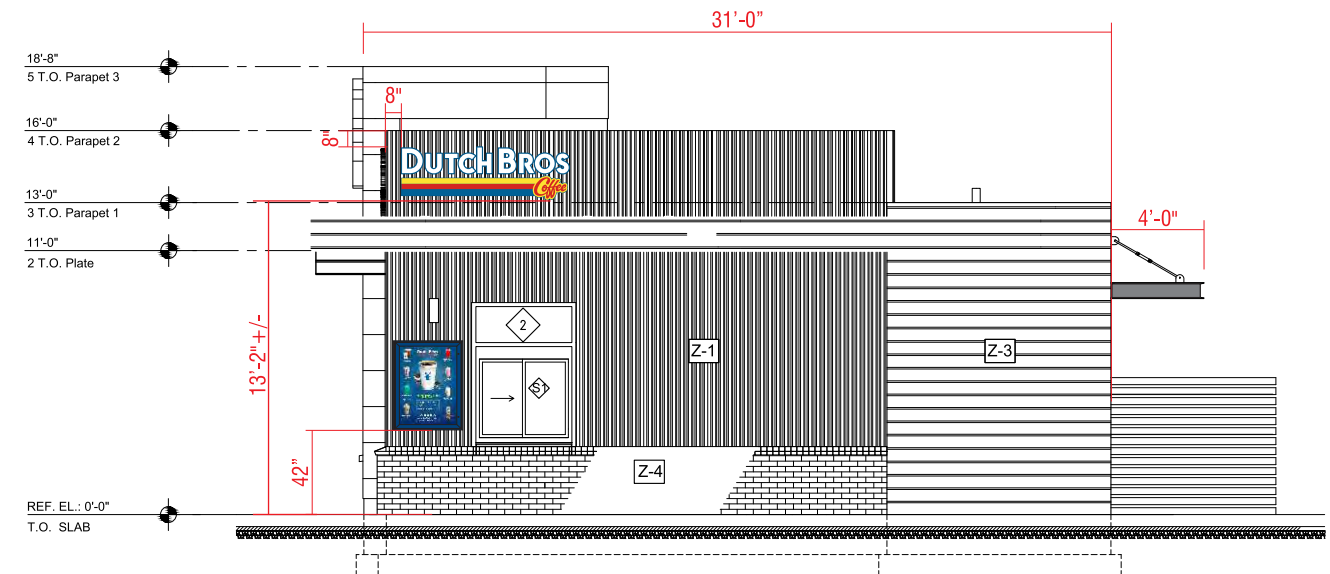
SOUTH ELEVATION
SCALE: 1/8"=1'-0"

0 SF



EAST ELEVATION
SCALE: 1/8"=1'-0"

7.8 SF 12.36 SF
24 SF ALLOWED
20.22 SF PROPOSED



NORTH ELEVATION
SCALE: 1/8"=1'-0"

24 SF ALLOWED
12.36 SF PROPOSED

SUMMARY DRAWING

SUMMARY - FREESTANDING SIGNS & MENUS

DRAWING #:
29642

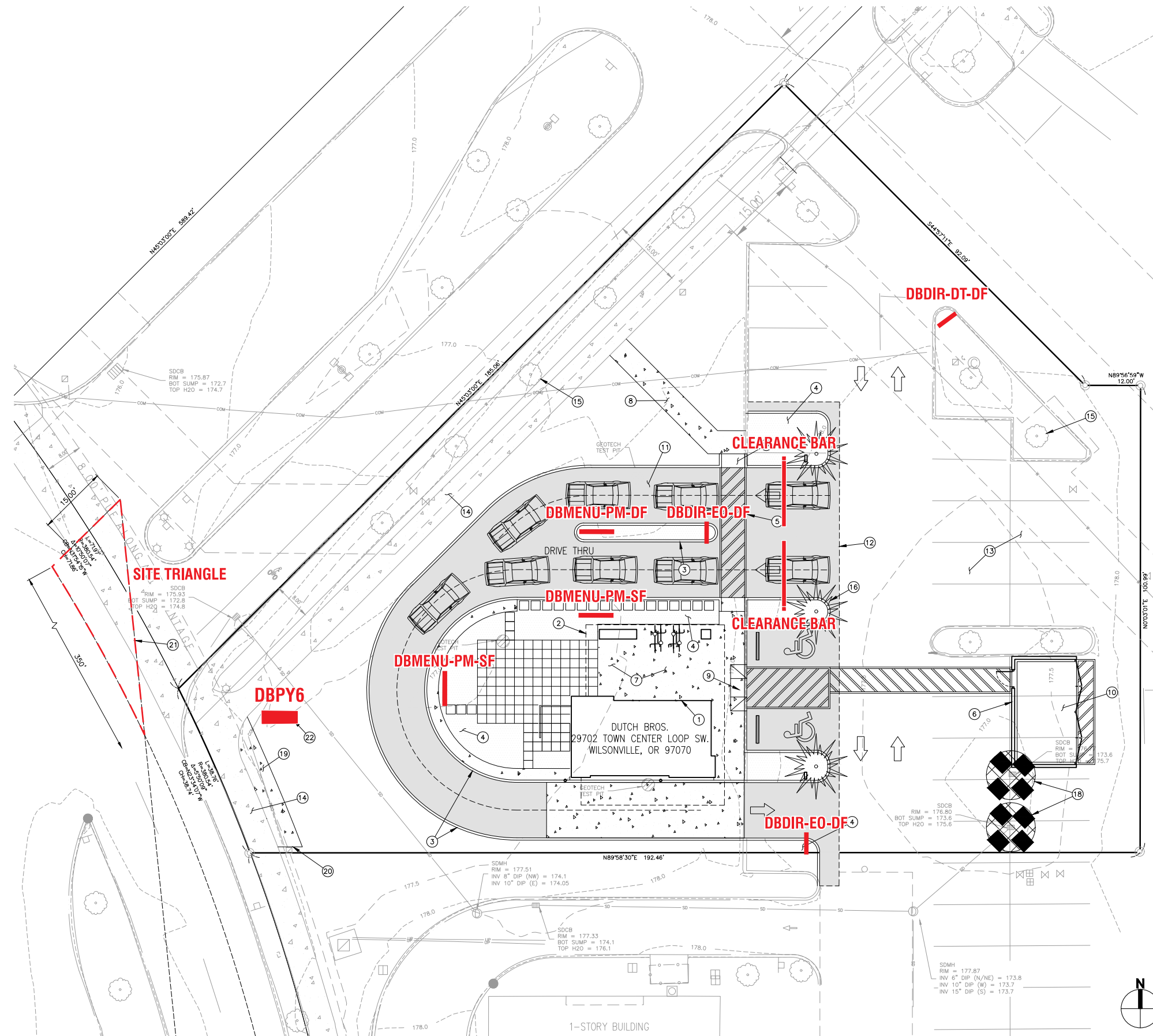
CLIENT:
DUTCH BROS - OR2606
29702 SW TOWN CENTER LOOP
WILSONVILLE, OR 97070

DATE OF SHOP DRAWING:
9/5/19

SHOP REVISIONS:
10.30.19 REMOVED ONE DBCL7 &
ONE DBW10.

SALES:	CONCEPT DESIGN:	PROD. DESIGN:	PAGE NO:
NJ	CH	CH	2 of 2

ES&A SIGN & AWNING
89975 PRAIRIE RD. | EUGENE, OR 97402
P 541.485.5546 | F 541.485.5813



FACTORY DRAWING

SCOPE OF WORK: MANUFACTURE & INSTALL ONE (1) D/F INTERNALLY ILLUMINATED MONUMENT CUP SIGN



SHOP DRAWING #:

29642A1

CLIENT:

DUTCH BROS - OR2606
29702 SW TOWN CENTER LOOP
WILSONVILLE, OR 97070

DATE OF SHOP DRAWING:

9/5/19

SHOP REVISIONS:

10.30.19 ADDED ADDRESS #S.

SALES:	CONCEPT DESIGN:	PROD. DESIGN:	PAGE NO:
NJ	CH	CH	1 of 1

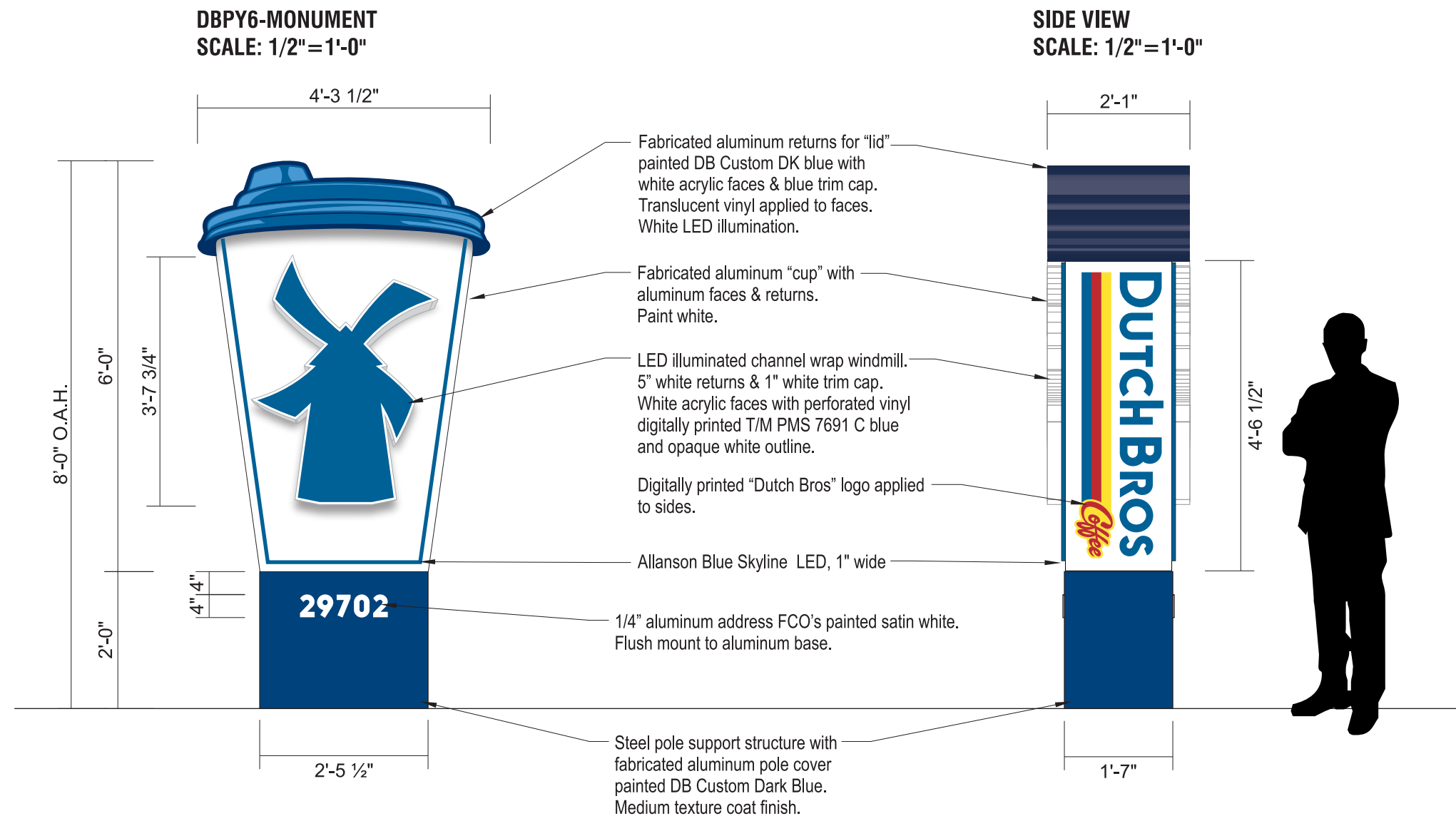
ES&A SIGN & AWNING

89975 PRAIRIE RD. | EUGENE, OR 97402

P 541.485.5546 | F 541.485.5813

COLOR CODE

	PANTONE 107 C YELLOW
	PANTONE 1795 C RED
	PANTONE 7691 C BLUE
	DB CUSTOM DK BLUE (POLE)
	WHITE
	DB CUSTOM DK BLUE (LID)
	RGB LIGHT BLUE (LID)
	RGB BLUE (LID)



FACTORY DRAWING

SCOPE OF WORK: MANUFACTURE & INSTALL ONE (1) D/F INTERNALLY ILLUMINATED MONUMENT CUP SIGN



SHOP DRAWING #:
29642A

CLIENT:
DUTCH BROS - OR2606
29702 SW TOWN CENTER LOOP
WILSONVILLE, OR 97070

DATE OF SHOP DRAWING:
9/5/19

SHOP REVISIONS:

SALES:	CONCEPT DESIGN:	PROD. DESIGN:	PAGE NO:
NJ	CH	CH	1 of 1

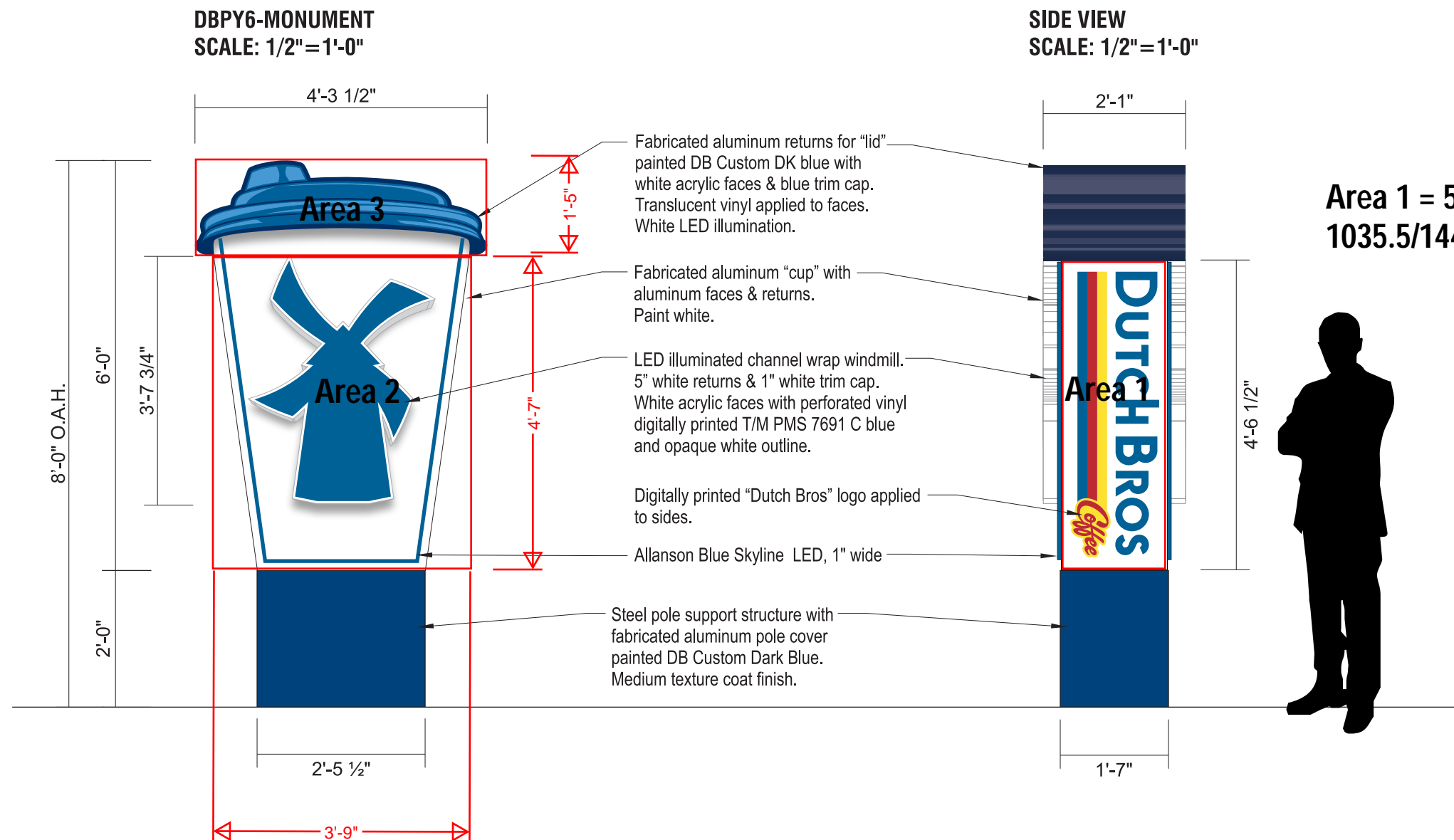
ES&A SIGN & AWNING
89975 PRAIRIE RD. | EUGENE, OR 97402
P 541.485.5546 | F 541.485.5813

COLOR CODE

	PANTONE 107 C YELLOW
	PANTONE 1795 C RED
	PANTONE 7691 C BLUE
	DB CUSTOM DK BLUE (POLE)
	WHITE
	DB CUSTOM DK BLUE (LID)
	RGB LIGHT BLUE (LID)
	RGB BLUE (LID)

Area 2 = 55 x 45 =
2475 / 144 = 17.19sf

Area 3 = 17 x 51.5 =
875.5 / 144 = 6.08sf



Area 1 (7.19) + Area 2 (17.19) + Area 3 (6.08) = 30.46sf

FACTORY DRAWING

SCOPE OF WORK: MANUFACTURE & INSTALL (3) SETS OF ILLUMINATED CHANNEL LETTERS WITH REMOTE RACEWAYS



SHOP DRAWING #:
29642B

CLIENT:
DUTCH BROS - OR2606
29702 SW TOWN CENTER LOOP
WILSONVILLE, OR 97070

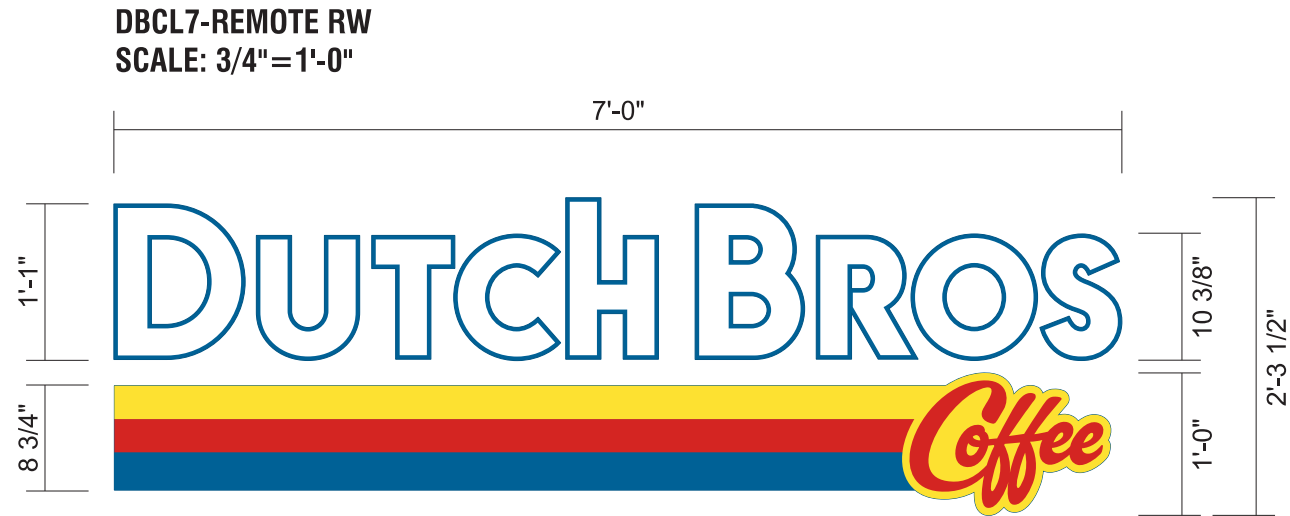
DATE OF SHOP DRAWING:
9/5/19

SHOP REVISIONS:

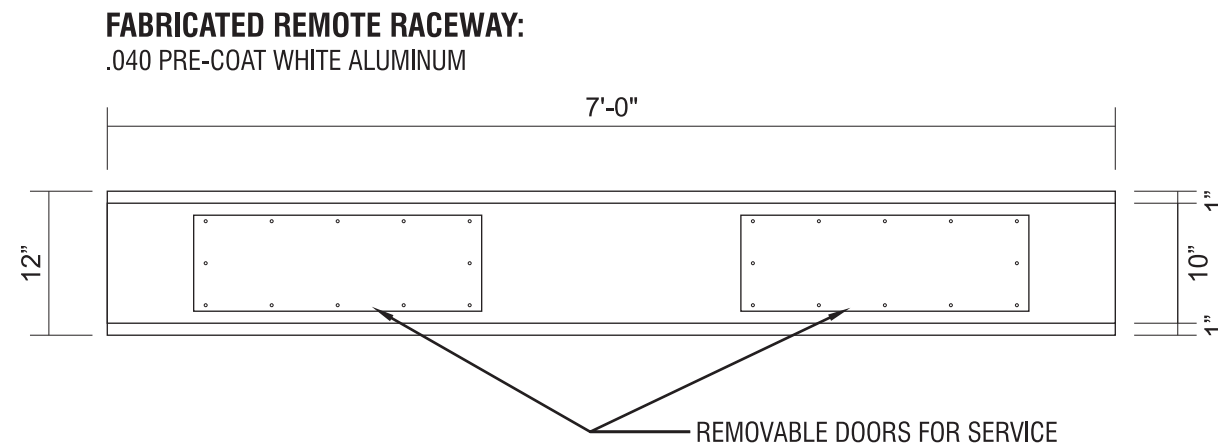
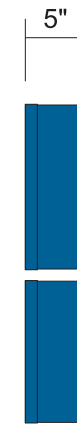
SALES:	CONCEPT DESIGN:	PROD. DESIGN:	PAGE NO:
NJ	CH	CH	1 of 1

ES&A SIGN & AWNING
89975 PRAIRIE RD. | EUGENE, OR 97402
P 541.485.5546 | F 541.485.5813

COLOR CODE	
	230-015 YELLOW PSV
	230-33 RED PSV
	230-127 INTENSE BLUE PSV
	WHITE

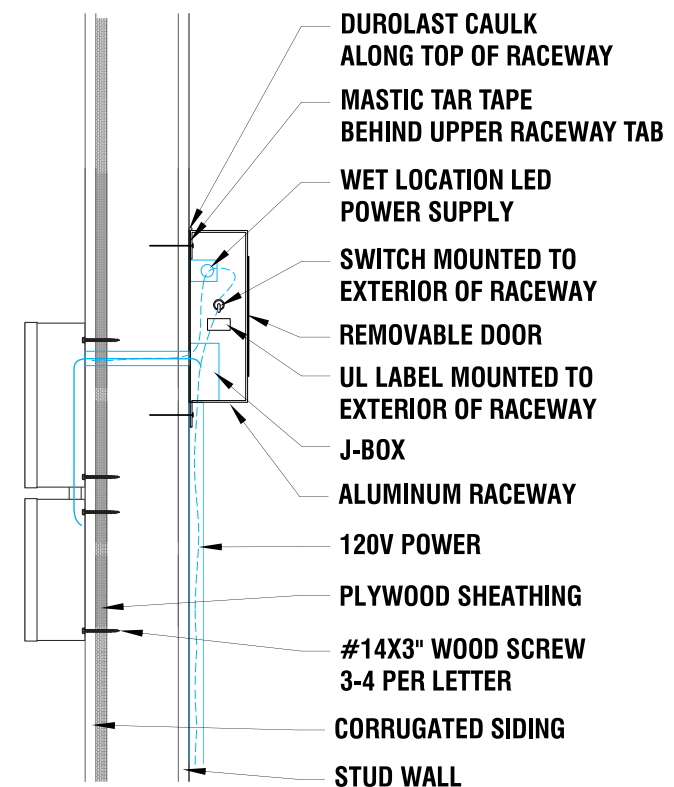


SIDE VIEW



ATTACHMENT DETAIL

SCALE: 3/4" = 1'-0"
CHANNEL LETTERS WITH REMOTE RACEWAY



INTERNALLY ILLUMINATED FACE-LIT FLUSH MOUNTED CHANNEL LETTERS
5" DEEP CHANNEL LETTERS.
RETURNS & TRIM CAP TO MATCH PANTONE 7691 C "INTENSE BLUE".
WHITE ACRYLIC FACES.
230-127 INTENSE BLUE PSV, 230-015 YELLOW PSV, 230-33 RED PSV.
LED ILLUMINATION.
FLUSH MOUNTED WITH REMOTE RACEWAY BEHIND PARAPET WALL.

FACTORY DRAWING

SCOPE OF WORK: MANUFACTURE & INSTALL (3) SETS OF ILLUMINATED CHANNEL LETTERS WITH REMOTE RACEWAYS



SHOP DRAWING #:
29642B

CLIENT:
DUTCH BROS - OR2606
29702 SW TOWN CENTER LOOP
WILSONVILLE, OR 97070

DATE OF SHOP DRAWING:
9/5/19

SHOP REVISIONS:

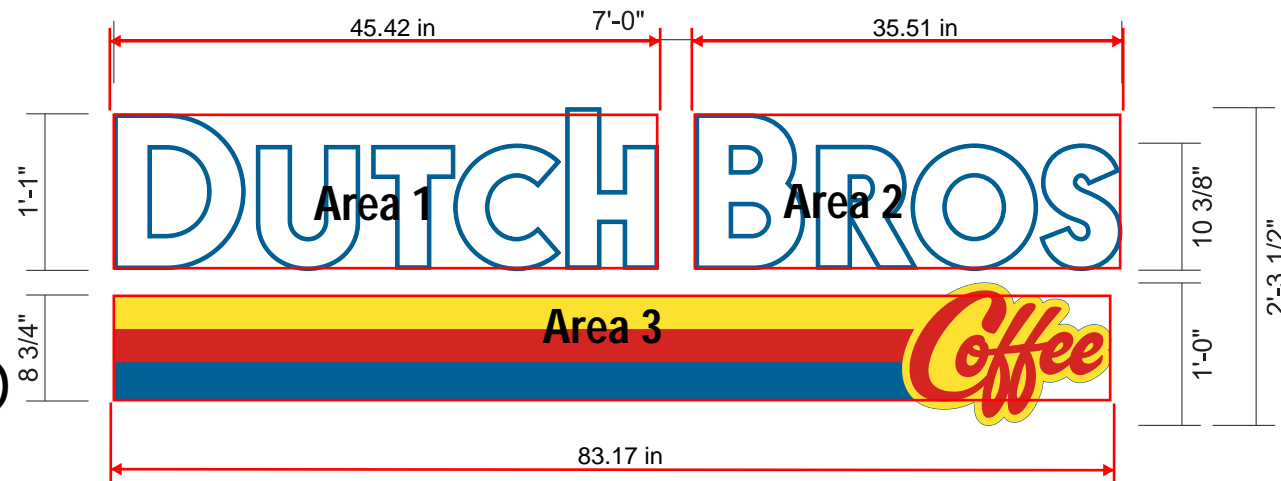
Area 1 = 13 x 45.42 =
590.46 / 144 = 4.1sf

Area 2 = 13 x 35.51 =
461.63 / 144 = 3.21sf

Area 3 = 8.75 x 83.17 =
727.74 / 144 = 5.05sf

Area 1 (4.1sf) + Area 2 (3.21)
+ Area 3 (5.05) = **12.36sf**

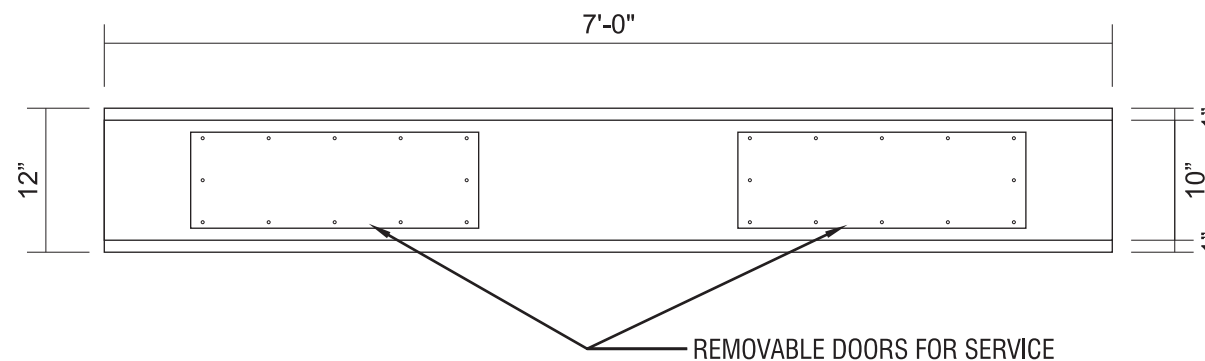
DBCL7-REMOTE RW
SCALE: 3/4"=1'-0"



SIDE VIEW

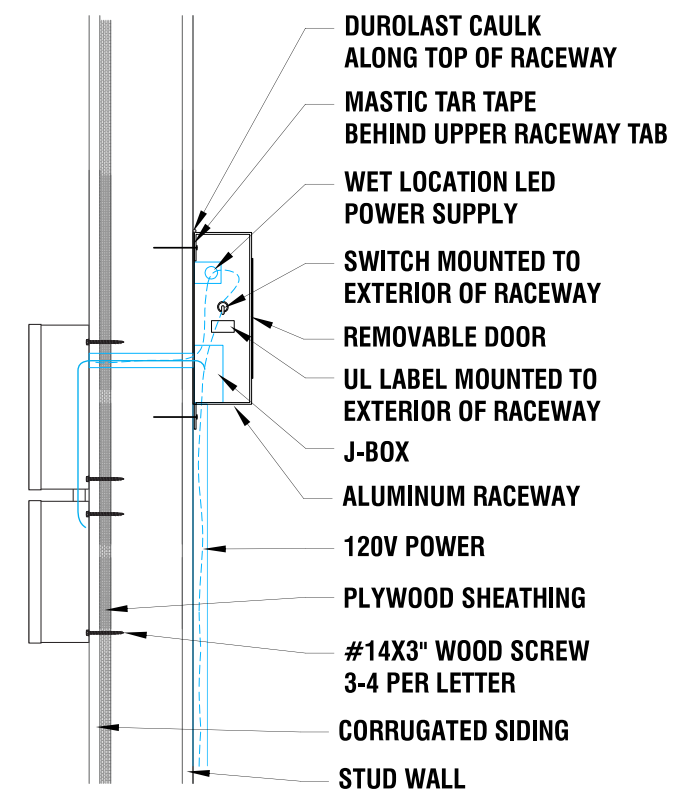


FABRICATED REMOTE RACEWAY:
.040 PRE-COAT WHITE ALUMINUM



ATTACHMENT DETAIL

SCALE: 3/4"=1'-0"
CHANNEL LETTERS WITH REMOTE RACEWAY



INTERNALLY ILLUMINATED FACE-LIT FLUSH MOUNTED CHANNEL LETTERS
5" DEEP CHANNEL LETTERS.
RETURNS & TRIM CAP TO MATCH PANTONE 7691 C "INTENSE BLUE".
WHITE ACRYLIC FACES.
230-127 INTENSE BLUE PSV, 230-015 YELLOW PSV, 230-33 RED PSV.
LED ILLUMINATION.
FLUSH MOUNTED WITH REMOTE RACEWAY BEHIND PARAPET WALL.

SALES:	CONCEPT DESIGN:	PROD. DESIGN:	PAGE NO:
NJ	CH	CH	1 of 1

ES&A SIGN & AWNING
89975 PRAIRIE RD. | EUGENE, OR 97402
P 541.485.5546 | F 541.485.5813

COLOR CODE

	230-015 YELLOW PSV
	230-33 RED PSV
	230-127 INTENSE BLUE PSV
	WHITE

FACTORY DRAWING

SCOPE OF WORK: MANUFACTURE & INSTALL (1) ILLUMINATED WINDMILL LOGO



SHOP DRAWING #:
29642C1

CLIENT:
DUTCH BROS - OR2606
29702 SW TOWN CENTER LOOP
WILSONVILLE, OR 97070

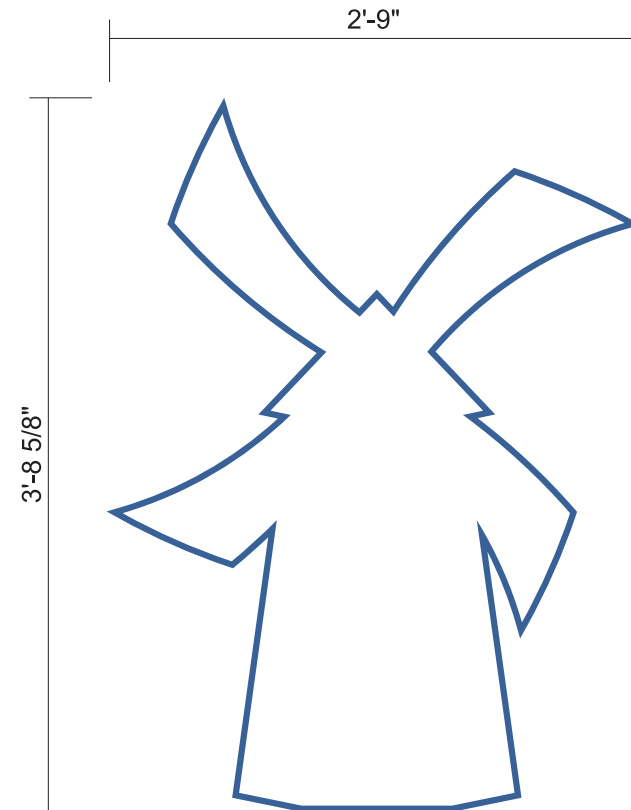
DATE OF SHOP DRAWING:
9/5/19

SHOP REVISIONS:
10.30.19 REMOVED ONE SET.

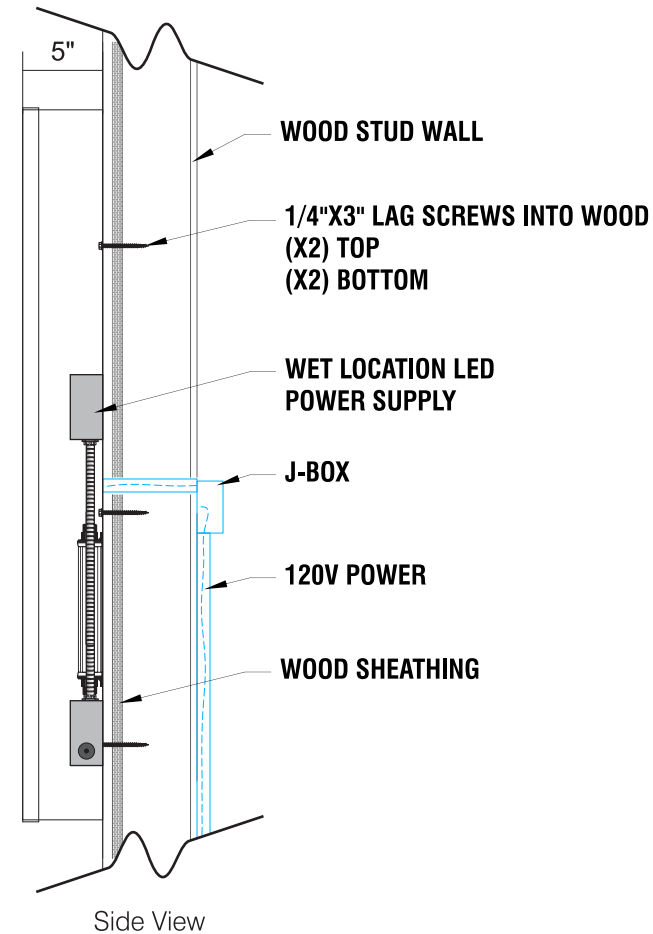
SALES:	CONCEPT DESIGN:	PROD. DESIGN:	PAGE NO:
NJ	CH	CH	1 of 1

ES&A SIGN & AWNING
89975 PRAIRIE RD. | EUGENE, OR 97402
P 541.485.5546 | F 541.485.5813

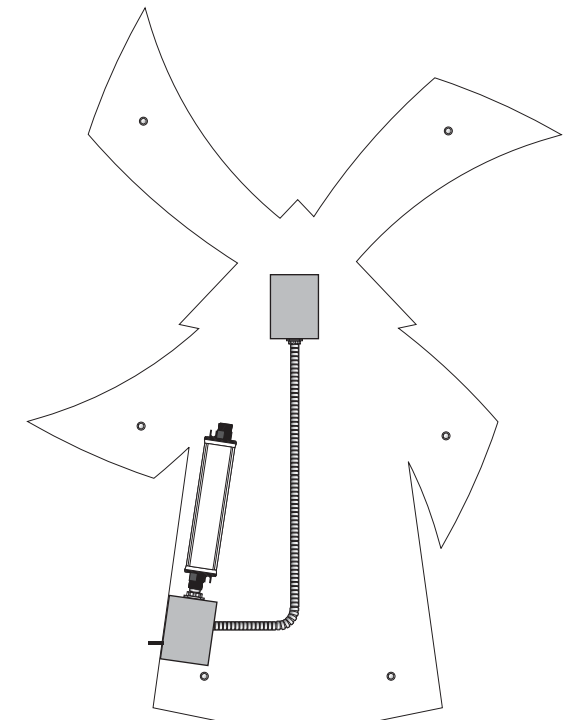
DBW10
SCALE: 1"=1'-0"



ATTACHMENT DETAIL
SELF CONTAINED CHANNEL LOGO



ATTACHMENT DETAIL
SELF CONTAINED CHANNEL LOGO



INTERNALLY ILLUMINATED FACE-LIT FLUSH MOUNTED CHANNEL WRAP LOGO
5" DEEP CHANNEL WRAP.
RETURNS & TRIM CAP PAINTED TO MATCH PANTONE 7691 C "INTENSE BLUE".
WHITE ACRYLIC FACE.
230-127 INTENSE BLUE PSV OUTLINE.
LED ILLUMINATION.
FLUSH MOUNTED SELF CONTAINED INSTALLATION.

COLOR CODE

	230-127 INTENSE BLUE PSV
	WHITE

FACTORY DRAWING

SCOPE OF WORK: MANUFACTURE & INSTALL (2) ILLUMINATED WINDMILL LOGOS



SHOP DRAWING #:
29642C

CLIENT:
DUTCH BROS - OR2606
29702 SW TOWN CENTER LOOP
WILSONVILLE, OR 97070

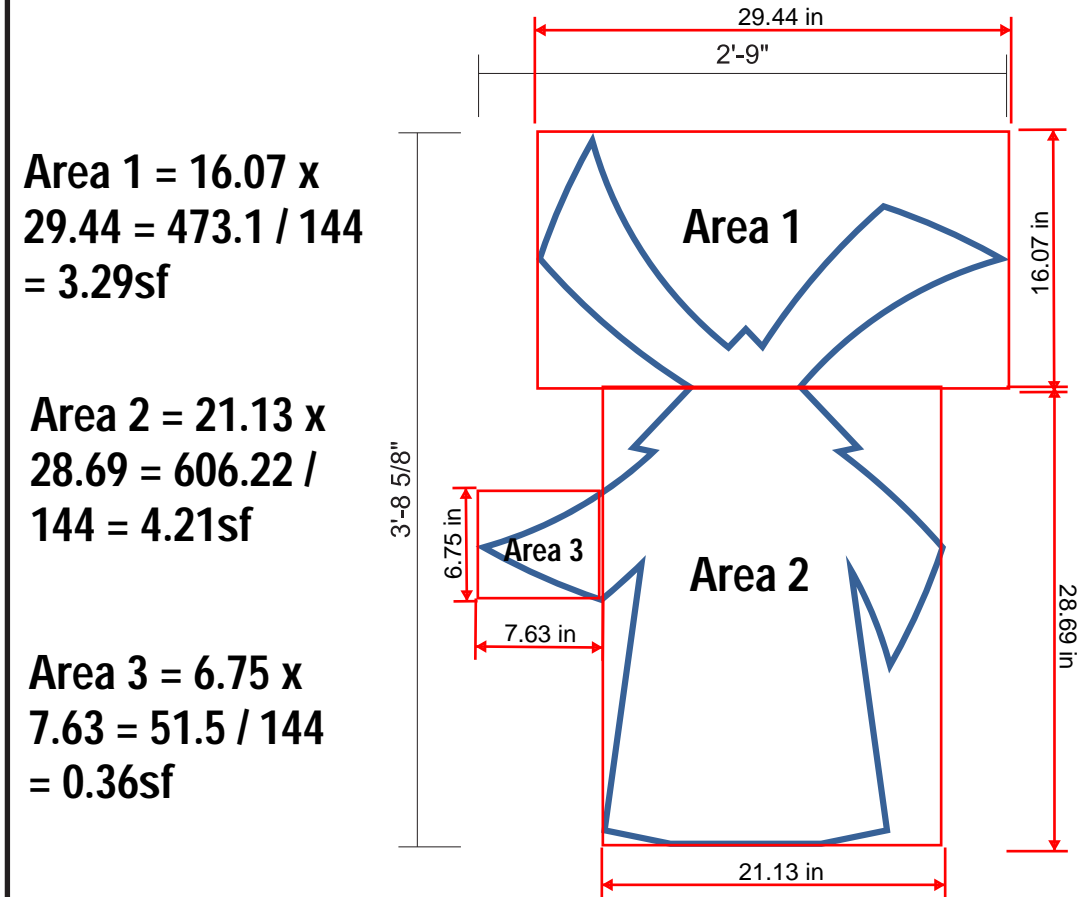
DATE OF SHOP DRAWING:
9/5/19

SHOP REVISIONS:

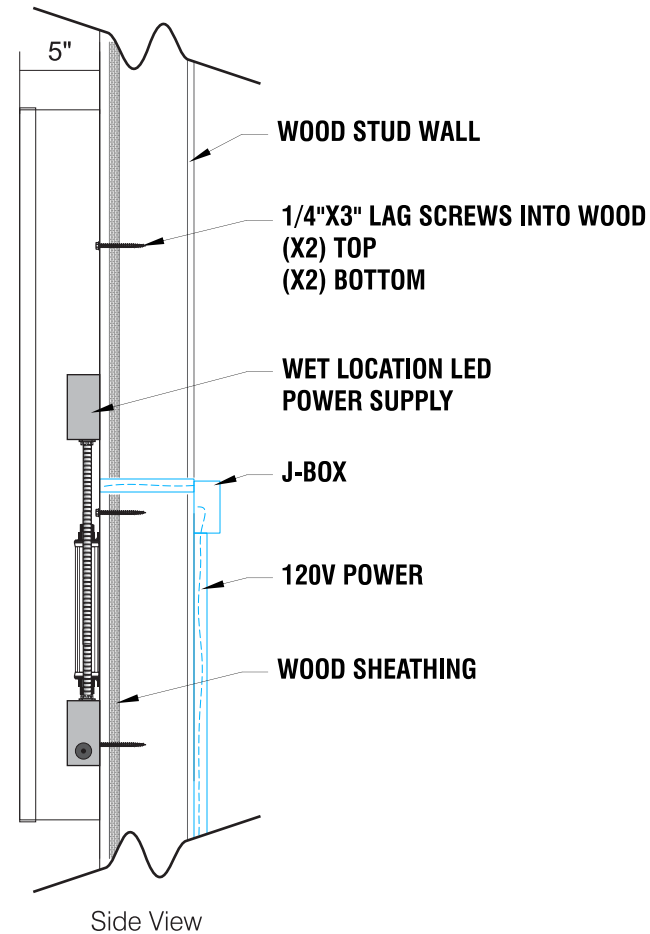
SALES:	CONCEPT DESIGN:	PROD. DESIGN:	PAGE NO:
NJ	CH	CH	1 of 1

ES&A SIGN & AWNING
89975 PRAIRIE RD. | EUGENE, OR 97402
P 541.485.5546 | F 541.485.5813

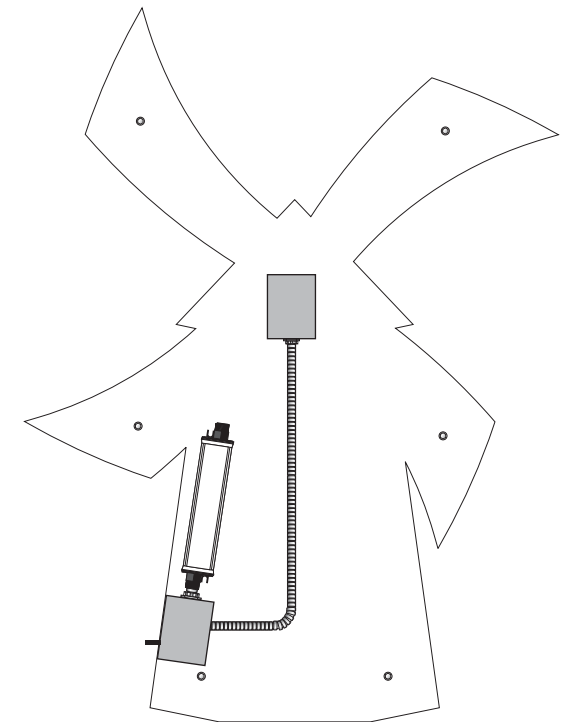
DBW10
SCALE: 1"=1'-0"



ATTACHMENT DETAIL
SELF CONTAINED CHANNEL LOGO



ATTACHMENT DETAIL
SELF CONTAINED CHANNEL LOGO



INTERNALLY ILLUMINATED FACE-LIT FLUSH MOUNTED CHANNEL WRAP LOGO
5" DEEP CHANNEL WRAP.
RETURNS & TRIM CAP PAINTED TO MATCH PANTONE 7691 C "INTENSE BLUE".
WHITE ACRYLIC FACE.
230-127 INTENSE BLUE PSV OUTLINE.
LED ILLUMINATION.
FLUSH MOUNTED SELF CONTAINED INSTALLATION.

COLOR CODE

- 230-127 INTENSE BLUE PSV
- WHITE

FACTORY DRAWING

SCOPE OF WORK: MANUFACTURE & INSTALL (1) ILLUMINATED WINDMILL LOGO



SHOP DRAWING #:

29642D

CLIENT:

DUTCH BROS - OR2606
29702 SW TOWN CENTER LOOP
WILSONVILLE, OR 97070

DATE OF SHOP DRAWING:

9/5/19

SHOP REVISIONS:

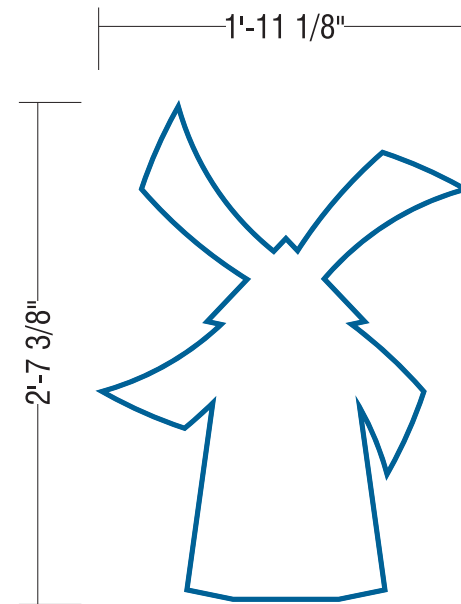
SALES:	CONCEPT DESIGN:	PROD. DESIGN:	PAGE NO:
NJ	CH	CH	1 of 1

ES&A SIGN & AWNING

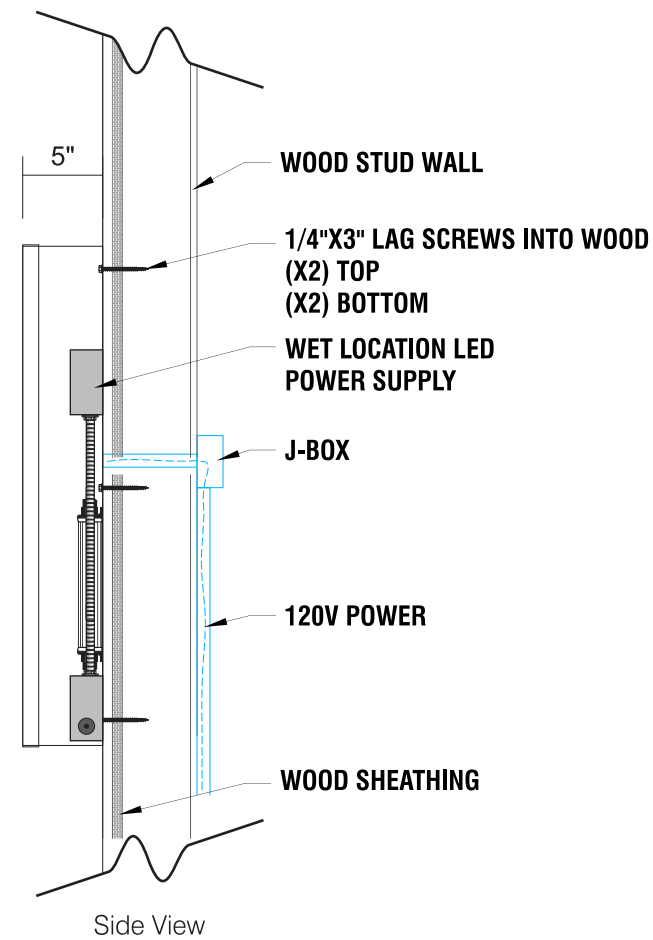
89975 PRAIRIE RD. | EUGENE, OR 97402

P 541.485.5546 | F 541.485.5813

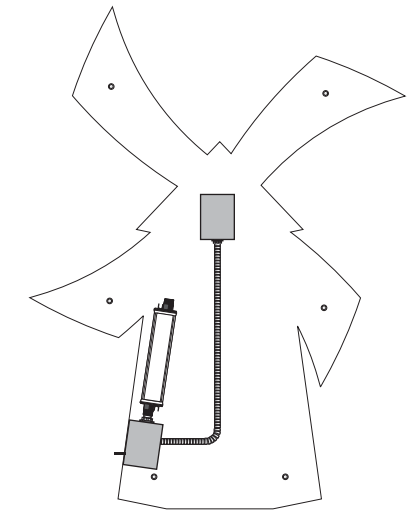
DBW7
SCALE: 1"=1'-0"



ATTACHMENT DETAIL
SELF CONTAINED CHANNEL LOGO



ATTACHMENT DETAIL
SELF CONTAINED CHANNEL LOGO



INTERNALLY ILLUMINATED FACE-LIT FLUSH MOUNTED CHANNEL WRAP LOGO
5" DEEP CHANNEL WRAP.
RETURNS & TRIM CAP TO MATCH PANTONE 7691 C "INTENSE BLUE".
WHITE ACRYLIC FACE.
230-127 INTENSE BLUE PSV OUTLINE.
LED ILLUMINATION.
FLUSH MOUNTED SELF CONTAINED INSTALLATION.

COLOR CODE

	230-127 INTENSE BLUE PSV
	WHITE

FACTORY DRAWING

SCOPE OF WORK: MANUFACTURE & INSTALL (1) ILLUMINATED WINDMILL LOGO



SHOP DRAWING #:

29642D

CLIENT:

DUTCH BROS - OR2606
29702 SW TOWN CENTER LOOP
WILSONVILLE, OR 97070

DATE OF SHOP DRAWING:

9/5/19

SHOP REVISIONS:

SALES:	CONCEPT DESIGN:	PROD. DESIGN:	PAGE NO:
NJ	CH	CH	1 of 1

ES&A SIGN & AWNING

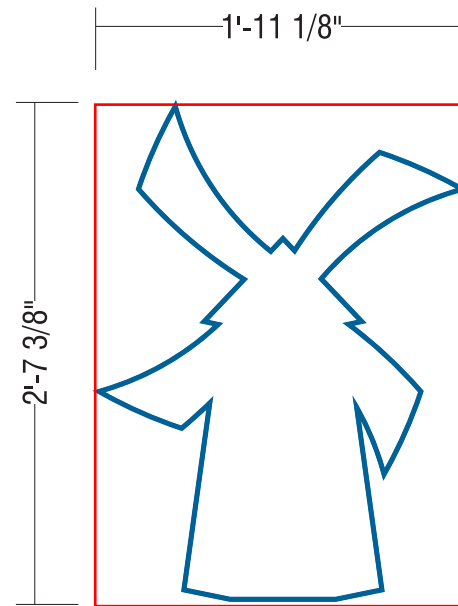
89975 PRAIRIE RD. | EUGENE, OR 97402

P 541.485.5546 | F 541.485.5813

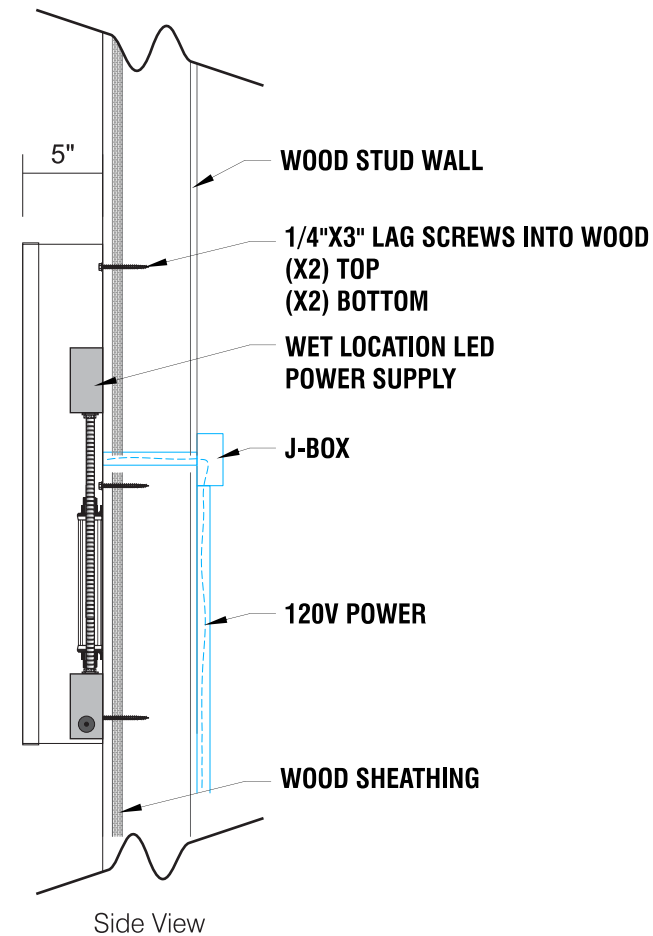
5.1sf

DBW7

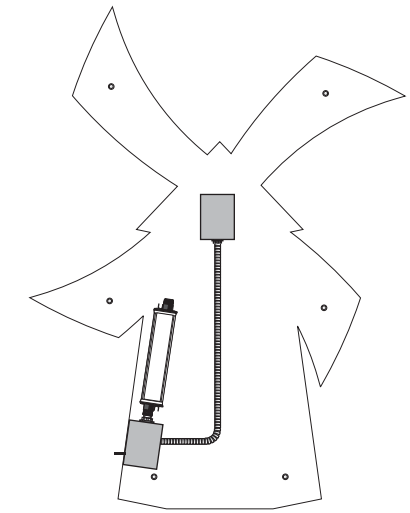
SCALE: 1"=1'-0"



ATTACHMENT DETAIL
SELF CONTAINED CHANNEL LOGO



ATTACHMENT DETAIL
SELF CONTAINED CHANNEL LOGO



INTERNALLY ILLUMINATED FACE-LIT FLUSH MOUNTED CHANNEL WRAP LOGO
5" DEEP CHANNEL WRAP.
RETURNS & TRIM CAP TO MATCH PANTONE 7691 C "INTENSE BLUE".
WHITE ACRYLIC FACE.
230-127 INTENSE BLUE PSV OUTLINE.
LED ILLUMINATION.
FLUSH MOUNTED SELF CONTAINED INSTALLATION.

COLOR CODE

	230-127 INTENSE BLUE PSV
	WHITE

FACTORY DRAWING

SCOPE OF WORK: PROVIDE (2) ILLUMINATED MENU SIGNS - WALL-MOUNTED



SHOP DRAWING #:
29642E

CLIENT:
DUTCH BROS - OR2606
29702 SW TOWN CENTER LOOP
WILSONVILLE, OR 97070

DATE OF SHOP DRAWING:
9/5/19

SHOP REVISIONS:

SALES:	CONCEPT DESIGN:	PROD. DESIGN:	PAGE NO:
NJ	CH	CH	I of I

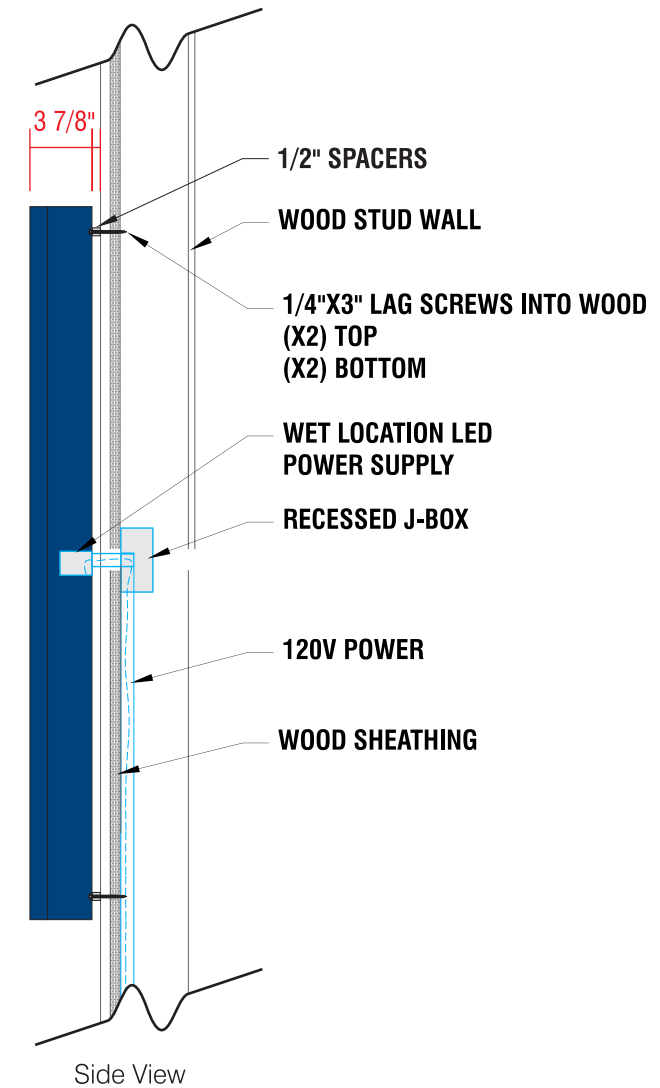
ES&A SIGN & AWNING
89975 PRAIRIE RD. | EUGENE, OR 97402
P 541.485.5546 | F 541.485.5813

COLOR CODE

	DIGITAL PRINT
	POWDER COATED DB CUSTOM DARK BLUE
	POWDER COATED SILVER



ATTACHMENT DETAIL ILLUMINATED WALL MOUNTED MENU



- A WALL-MOUNTED, BACKLIT MENU SIGN**
- PRINTED MENU PANEL NOT INCLUDED
 - LED OUTDOOR LIGHT BOX
 - LOCKABLE HINGED DOOR
 - ALUMINUM CONSTRUCTION
- B PRINTED LIGHT GUIDE PANEL**
- AS SEPARATE ORDER

SCALE: 1"=1'-0"

FACTORY DRAWING

SCOPE OF WORK: PROVIDE (2) S/F ILLUMINATED MENU SIGNS - PLATE-MOUNTED



SHOP DRAWING #:
29642F

CLIENT:
DUTCH BROS - OR2606
29702 SW TOWN CENTER LOOP
WILSONVILLE, OR 97070

DATE OF SHOP DRAWING:
9/5/19

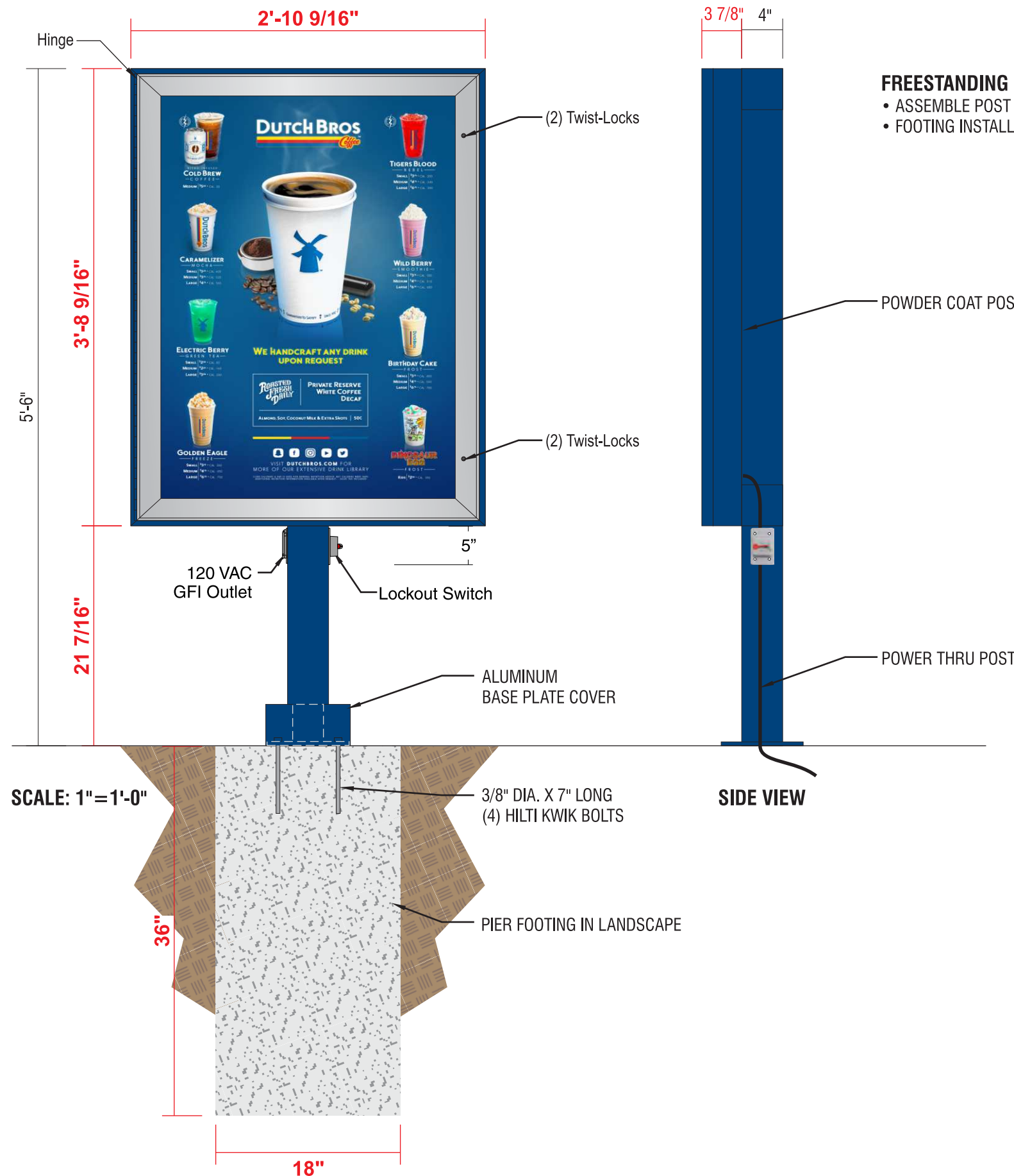
SHOP REVISIONS:

SALES:	CONCEPT DESIGN:	PROD. DESIGN:	PAGE NO:
NJ	CH	CH	1 of 1

ES&A SIGN & AWNING
89975 PRAIRIE RD. | EUGENE, OR 97402
P 541.485.5546 | F 541.485.5813

COLOR CODE

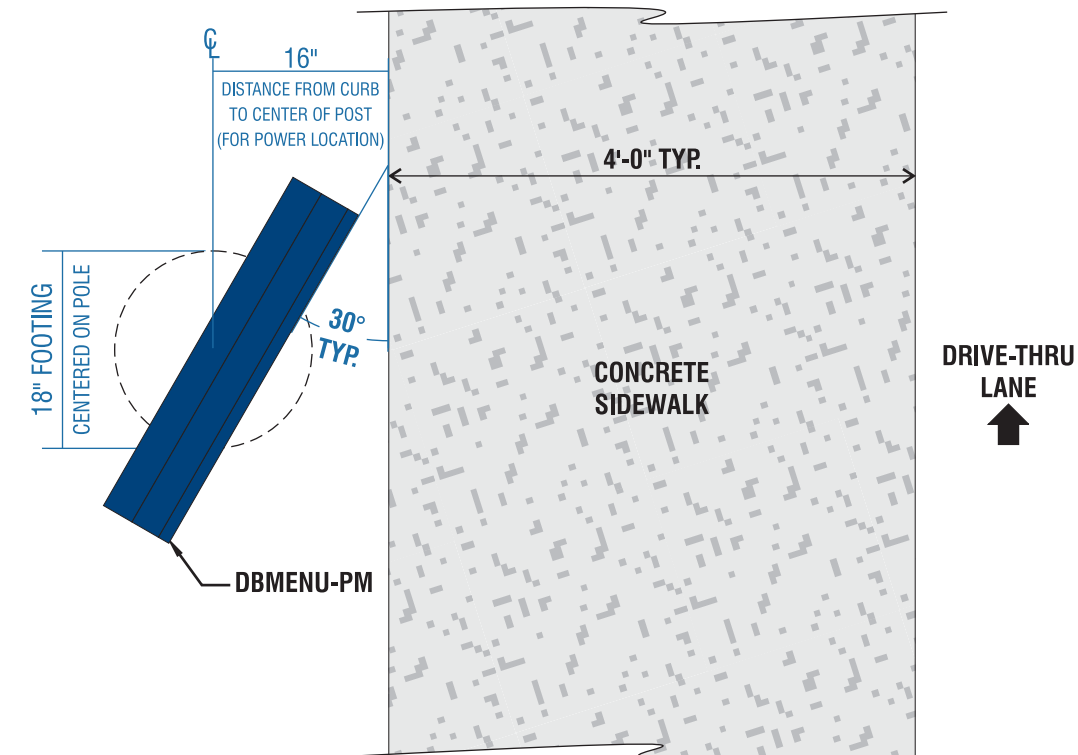
	DIGITAL PRINT
	POWDER COATED DB CUSTOM DARK BLUE
	POWDER COATED SILVER



FREESTANDING BACKLIT MENU SIGN

- ASSEMBLE POST & MENU
- FOOTING INSTALLED BY G.C.

INSTALLATION ORIENTATION DETAIL NOT TO SCALE



FACTORY DRAWING

SCOPE OF WORK: PROVIDE (1) D/F ILLUMINATED MENU SIGN - PLATE-MOUNTED



SHOP DRAWING #:
29642G

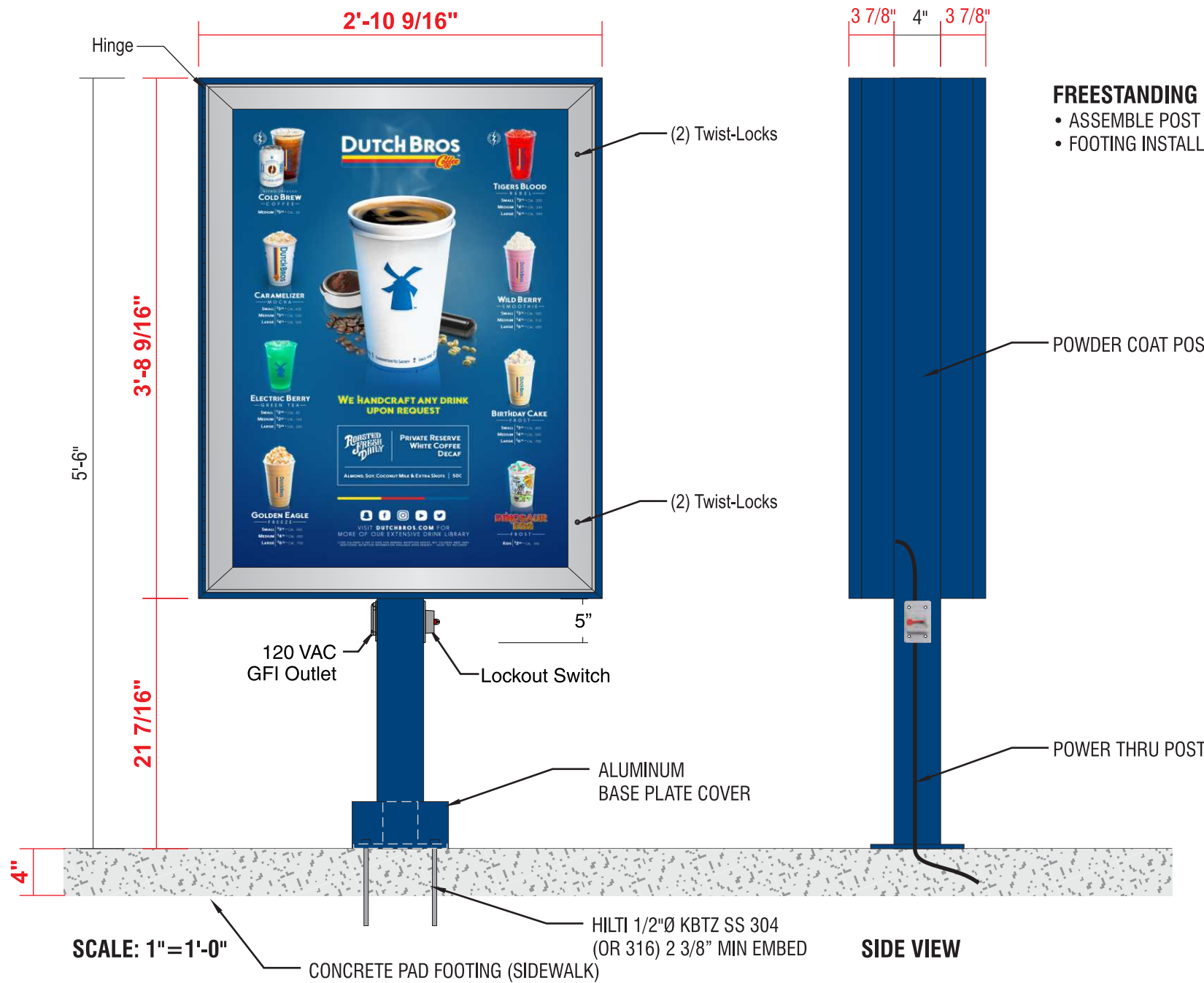
CLIENT:
DUTCH BROS - OR2606
29702 SW TOWN CENTER LOOP
WILSONVILLE, OR 97070

DATE OF SHOP DRAWING:
9/5/19

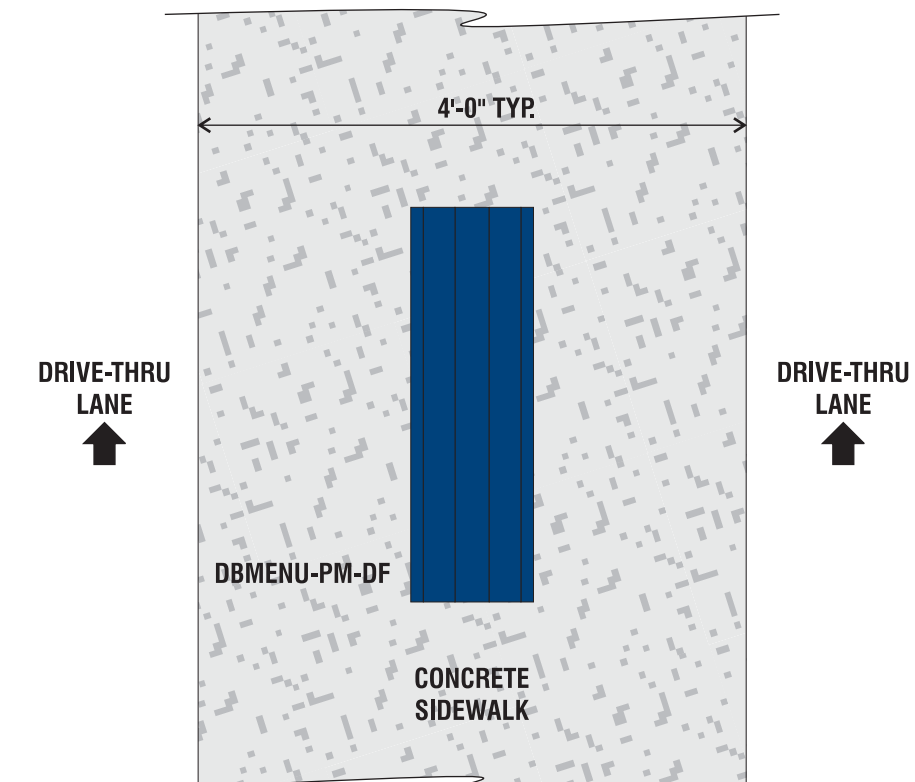
SHOP REVISIONS:

SALES:	CONCEPT DESIGN:	PROD. DESIGN:	PAGE NO:
NJ	CH	CH	I of I

ES&A SIGN & AWNING
89975 PRAIRIE RD. | EUGENE, OR 97402
P 541.485.5546 | F 541.485.5813



INSTALLATION ORIENTATION DETAIL NOT TO SCALE



COLOR CODE

- DIGITAL PRINT
- POWDER COATED DB CUSTOM DARK BLUE
- POWDER COATED SILVER

FACTORY DRAWING

SCOPE OF WORK: MANUFACTURE & INSTALL (1) D/F NON-ILLUMINATED 'DRIVE THRU' SIGN



SHOP DRAWING #:
29642H

CLIENT:
DUTCH BROS - OR2606
29702 SW TOWN CENTER LOOP
WILSONVILLE, OR 97070

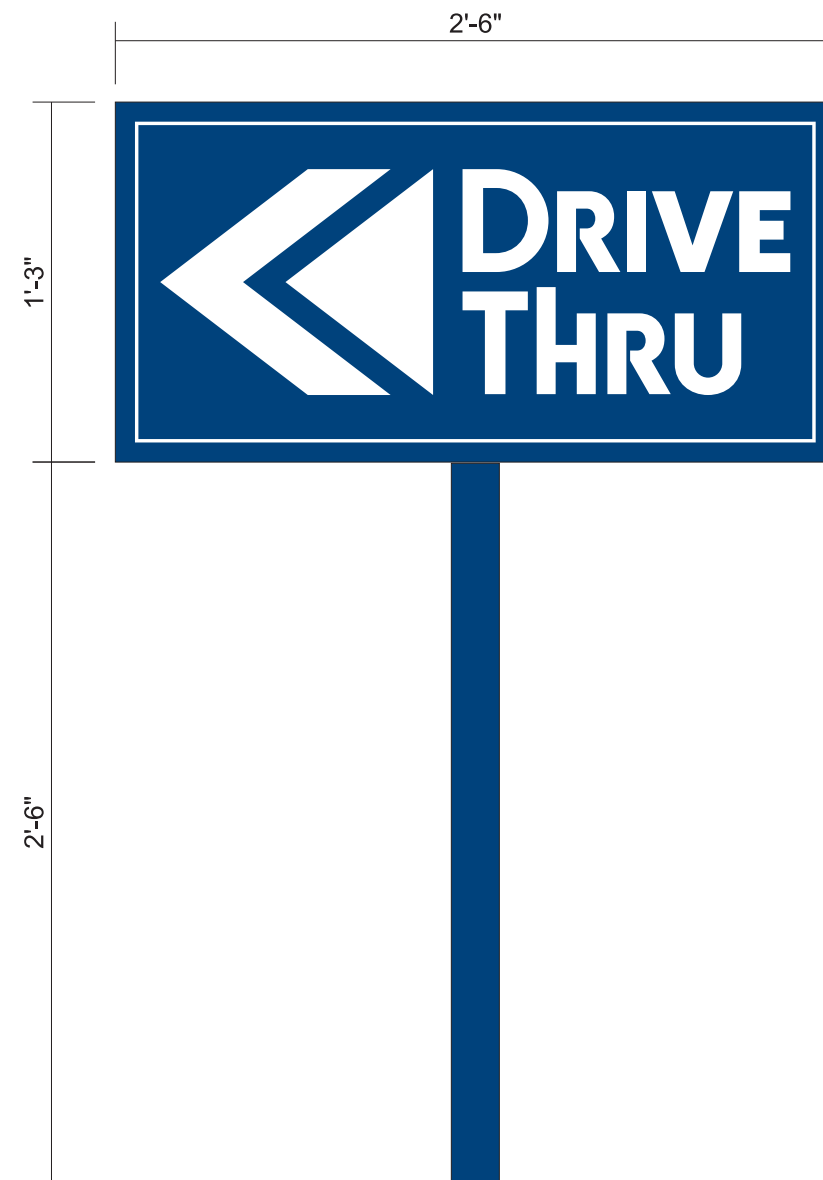
DATE OF SHOP DRAWING:
9/5/19

SHOP REVISIONS:

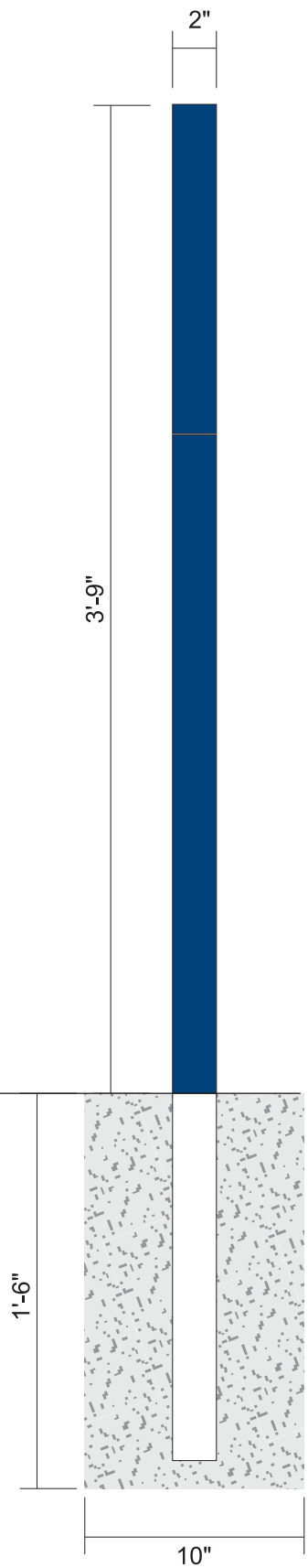
SALES:	CONCEPT DESIGN:	PROD. DESIGN:	PAGE NO:
NJ	CH	CH	1 of 1

ES&A SIGN & AWNING
89975 PRAIRIE RD. | EUGENE, OR 97402
P 541.485.5546 | F 541.485.5813

LAYOUT
SCALE: 1 1/2" = 1'-0"



SIDE VIEW



DIAMOND GRADE REFLECTIVE WHITE VINYL WITH DIGITALLY PRINTED PMS 541 C BLUE BACKGROUND
2" X 2" SQUARE TUBE ALUMINUM FRAME & POST WITH ALUMINUM FACES
PAINT PMS 541 C
SET POST IN NEW CONCRETE FOOTING, 10" DIA. X 18" DEEP.

COLOR CODE

- PMS 541 C
- WHITE

FACTORY DRAWING

SCOPE OF WORK: MANUFACTURE & INSTALL (1) D/F FREESTANDING NON-LIT EXIT ONLY SIGN



SHOP DRAWING #:

296421

CLIENT:

DUTCH BROS - OR2606
29702 SW TOWN CENTER LOOP
WILSONVILLE, OR 97070

DATE OF SHOP DRAWING:

9/5/19

SHOP REVISIONS:

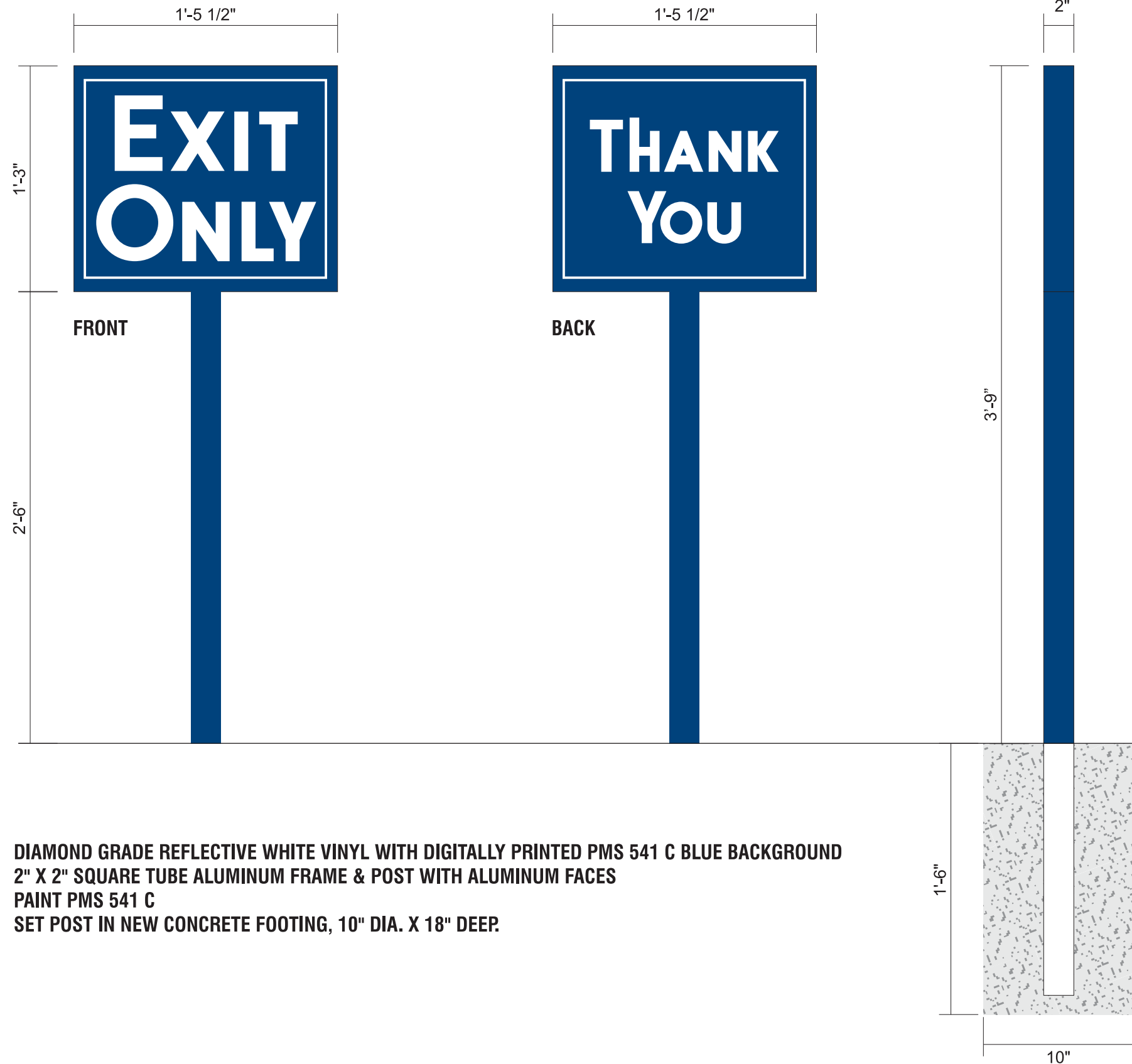
SALES:	CONCEPT DESIGN:	PROD. DESIGN:	PAGE NO:
NJ	CH	CH	1 of 1

ES&A SIGN & AWNING

89975 PRAIRIE RD. | EUGENE, OR 97402



P 541.485.5546 | F 541.485.5813

EXIT ONLY SIGN
SCALE: 1 1/2" = 1'-0"



DIAMOND GRADE REFLECTIVE WHITE VINYL WITH DIGITALLY PRINTED PMS 541 C BLUE BACKGROUND
2" X 2" SQUARE TUBE ALUMINUM FRAME & POST WITH ALUMINUM FACES
PAINT PMS 541 C
SET POST IN NEW CONCRETE FOOTING, 10" DIA. X 18" DEEP.

COLOR CODE

-  PMS 541 C
-  WHITE

FACTORY DRAWING

SCOPE OF WORK: MANUFACTURE & INSTALL (1) S/F DIRECTIONAL SIGN



SHOP DRAWING #:

29642J

CLIENT:

DUTCH BROS - OR2606
29702 SW TOWN CENTER LOOP
WILSONVILLE, OR 97070

DATE OF SHOP DRAWING:

9/5/19

SHOP REVISIONS:

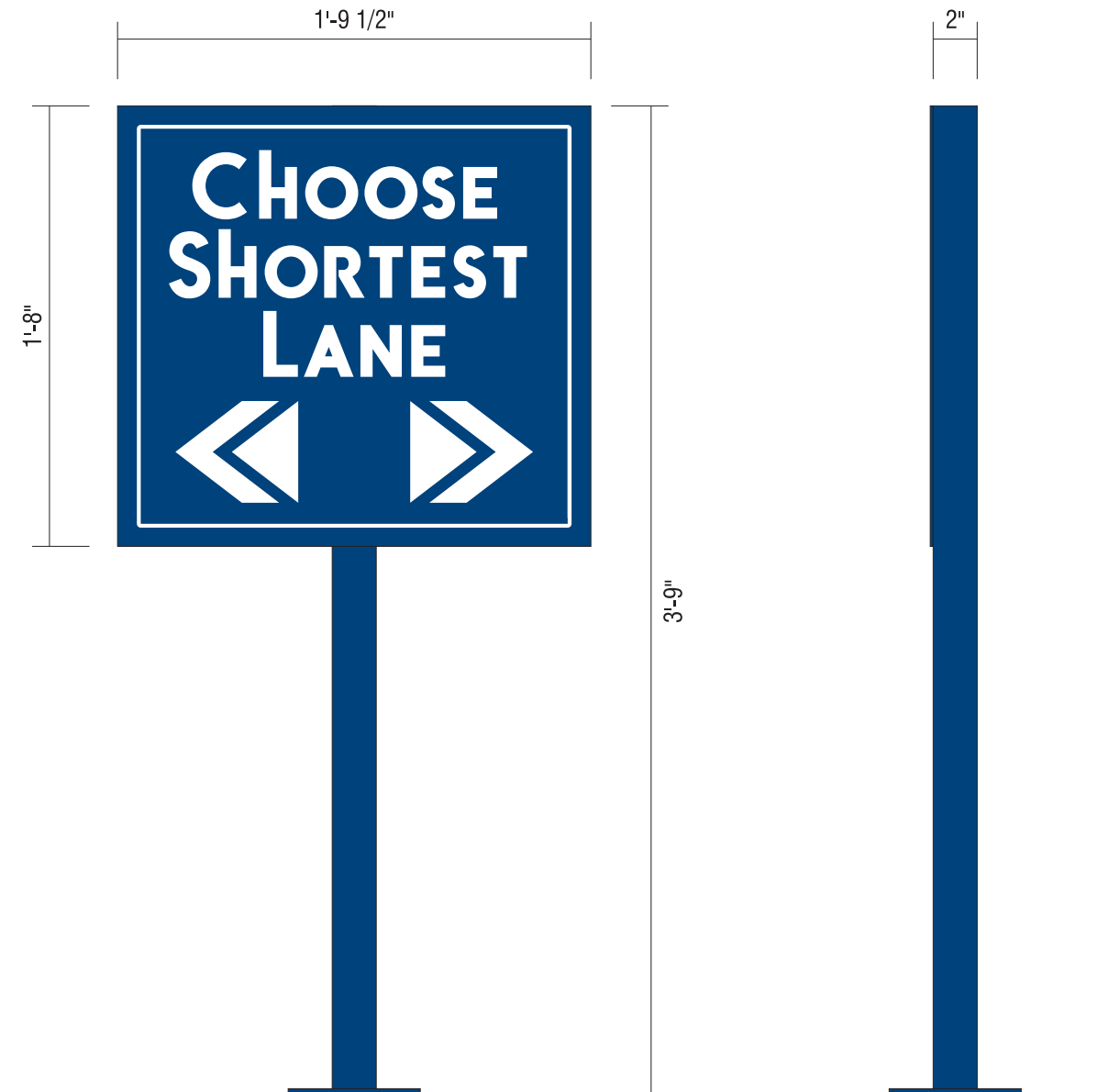
SALES:	CONCEPT DESIGN:	PROD. DESIGN:	PAGE NO:
NJ	CH	CH	I of I

ES&A SIGN & AWNING

89975 PRAIRIE RD. | EUGENE, OR 97402

P 541.485.5546 | F 541.485.5813

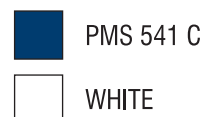
DB-DIR-CUSTOM
SCALE: 1 1/2" = 1'-0"



REFLECTIVE CUSTOM DIRECTIONAL SIGN

- 3MM ACM PANEL
- DIGITALLY PRINTED DIAMOND GRADE REFLECTIVE VINYL
- 2" X 2" SQUARE TUBE ALUMINUM POST & 3/8" X 6" X 6" PLATE, PAINT TO MATCH PMS 541 C DARK BLUE
- INSTALL WITH EXPANSION BOLTS INTO EXISTING CONCRETE PAD

COLOR CODE



FACTORY DRAWING

SCOPE OF WORK: MANUFACTURE & INSTALL (2) S/F POST MOUNTED CLEARANCE BARS WITH PIVOTING ARMS



SHOP DRAWING #:
29642K

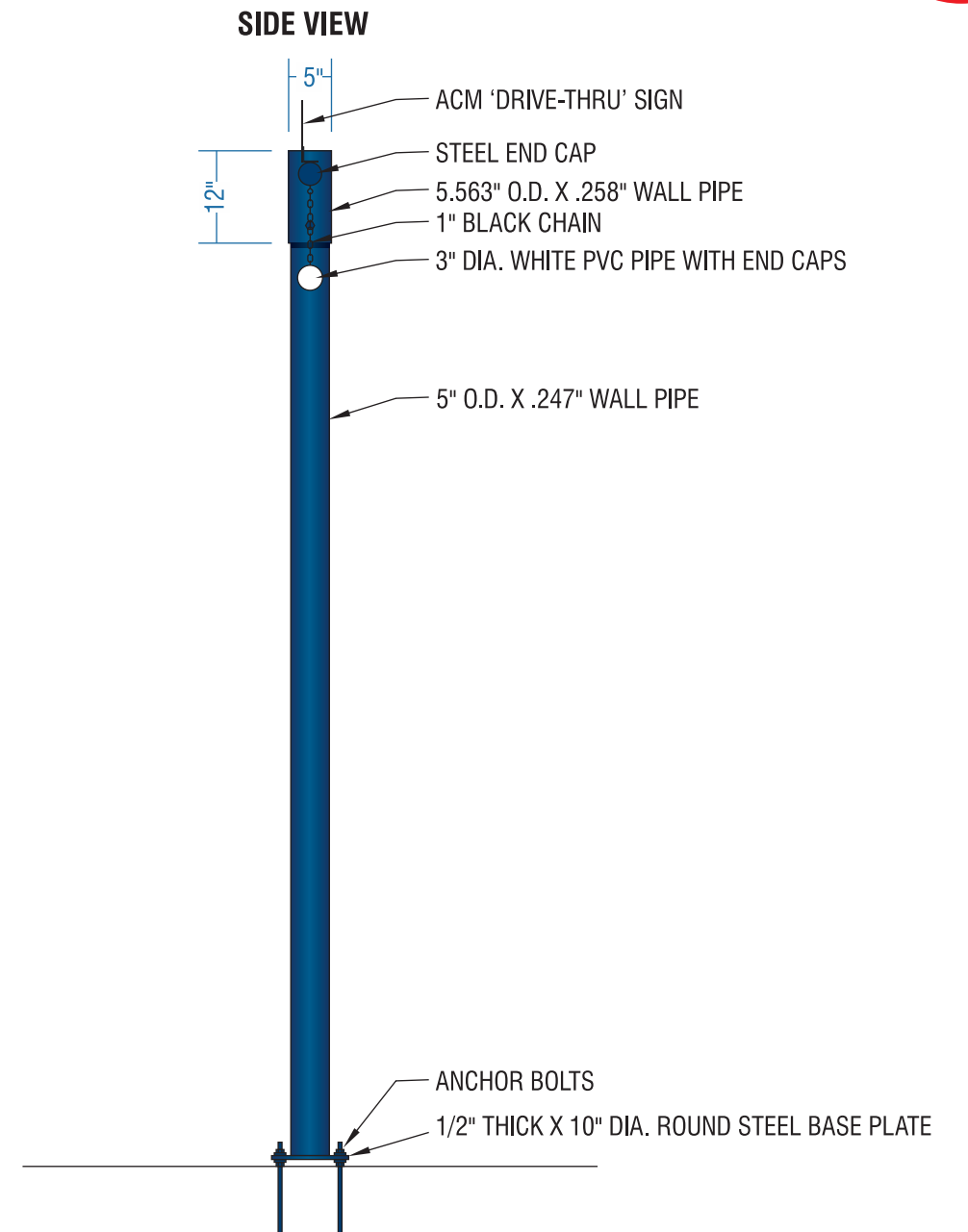
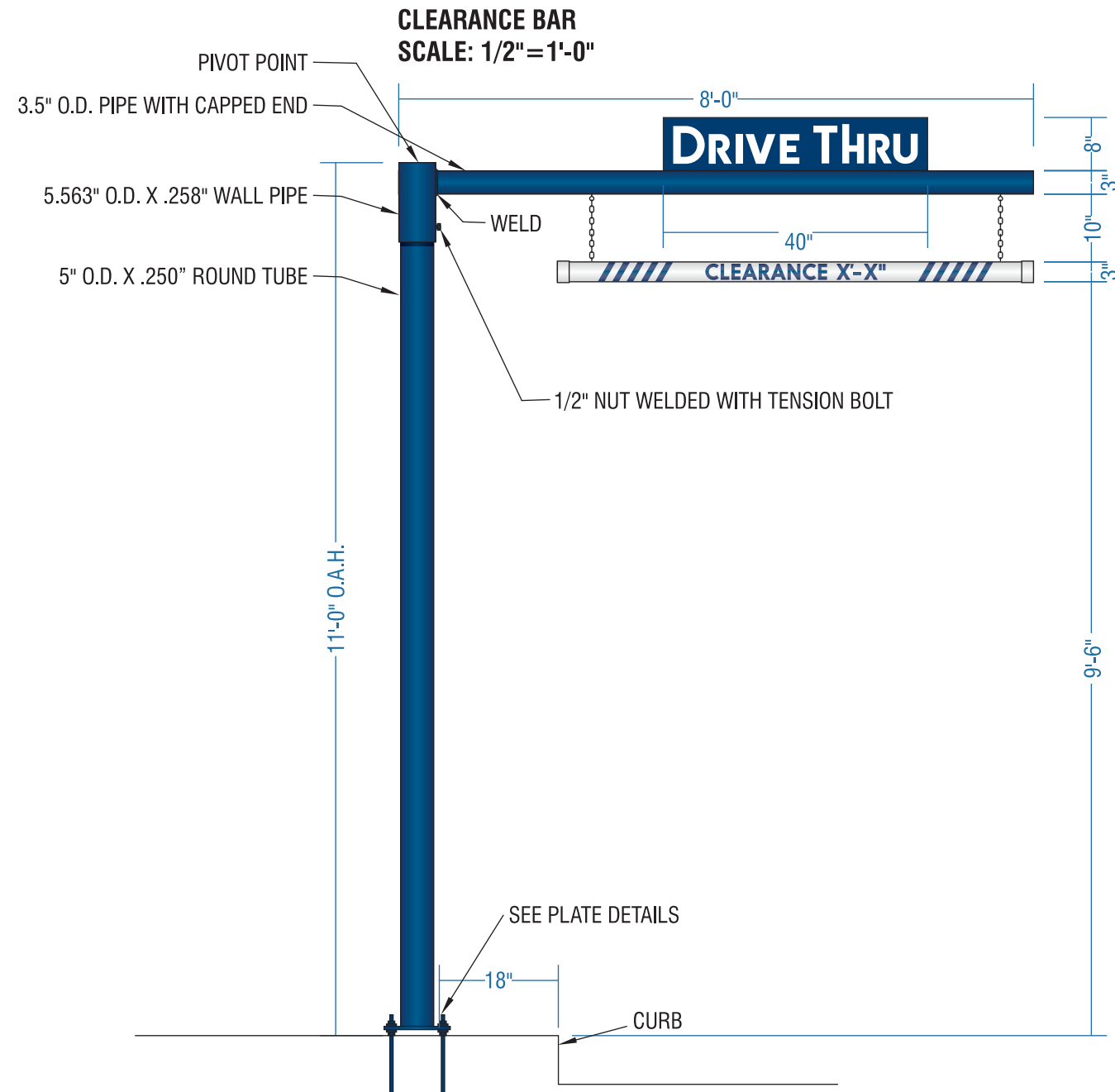
CLIENT:
DUTCH BROS - OR2606
29702 SW TOWN CENTER LOOP
WILSONVILLE, OR 97070

DATE OF SHOP DRAWING:
9/5/19

SHOP REVISIONS:

SALES:	CONCEPT DESIGN:	PROD. DESIGN:	PAGE NO:
NJ	CH	CH	1 of 3

ES&A SIGN & AWNING
89975 PRAIRIE RD. | EUGENE, OR 97402
P 541.485.5546 | F 541.485.5813



STEEL POLE SUPPORT STRUCTURE. PAINT DB CUSTOM DARK BLUE.

3" DIA. WHITE PVC CLEARANCE BAR WITH END CAPS.

280-75 REFLECTIVE BLUE PSV TEXT & STRIPES & BLACK CHAIN SECURED TO BOTTOM OF POLE STRUCTURE.

INCLUDE ONE SHEET REFLECTIVE VINYL NUMBERS MASKED FOR FIELD INSTALLATION.

CLEARANCE NUMBERS TO BE FIELD MEASURED AND APPLIED.

MEASURE FROM ASPHALT TO BOTTOM OF OVERHANG MINUS 6".

ACM 'DRIVE-THRU' SIGN.

DIAMOND GRADE REFLECTIVE WHITE VINYL WITH DIGITALLY PRINTED PMS 541 C BLUE BACKGROUND.

INSTALL STEEL POLE PLATE-MOUNTED WITH LEVELING NUTS ONTO G.C. PROVIDED FOOTING.

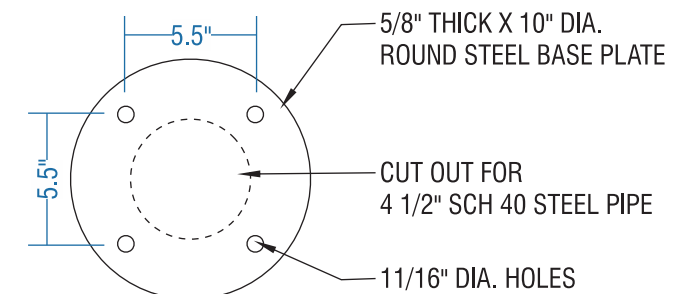


PLATE DETAIL
SCALE: 1 1/2" = 1'-0"

COLOR CODE

- WHITE
- 280-75 REFLECTIVE BLUE PSV
- DB CUSTOM DARK BLUE

FACTORY DRAWING

PIPE, PLATE & FOOTING DETAILS

SHOP DRAWING #:
29642K

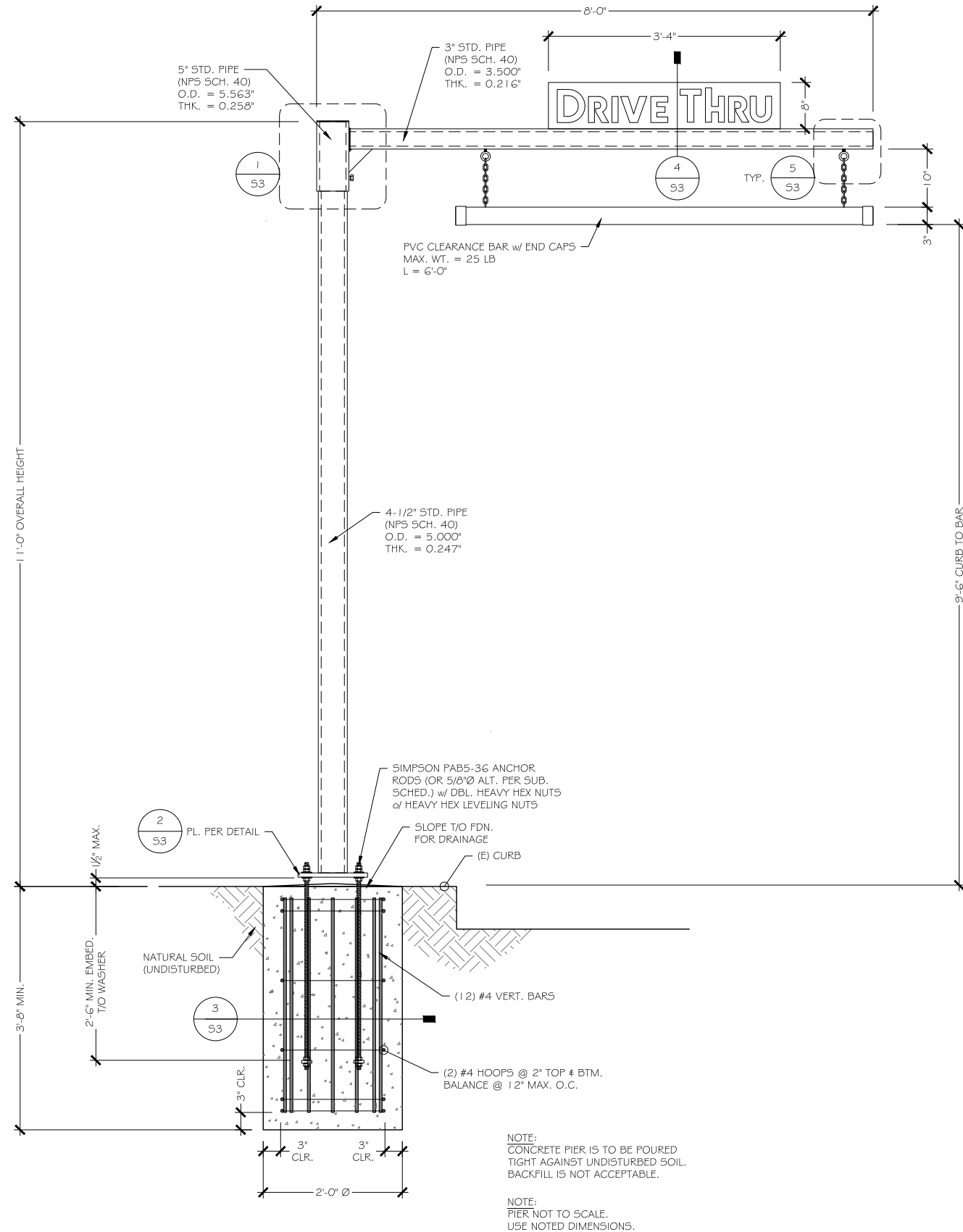
CLIENT:
DUTCH BROS - OR2606
29702 SW TOWN CENTER LOOP
WILSONVILLE, OR 97070

DATE OF SHOP DRAWING:
9/5/19

SHOP REVISIONS:

SALES:	CONCEPT DESIGN:	PROD. DESIGN:	PAGE NO:
NJ	CH	CH	2 of 3

ES&A SIGN & AWNING
89975 PRAIRIE RD. | EUGENE, OR 97402
P 541.485.5546 | F 541.485.5813



1

ELEVATION
SCALE: 1/2" = 1'-0"

FACTORY DRAWING

SCOPE OF WORK: MANUFACTURE & INSTALL (1) METAL CANOPY



SHOP DRAWING #:

29642L

CLIENT:

DUTCH BROS - OR2606
29702 SW TOWN CENTER LOOP
WILSONVILLE, OR 97070

DATE OF SHOP DRAWING:

9/5/19

SHOP REVISIONS:

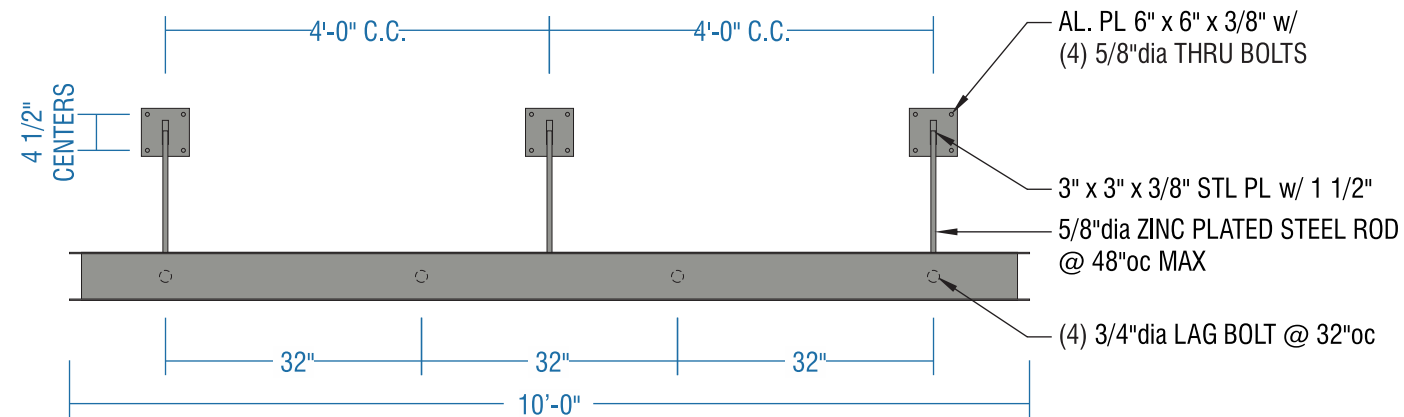
SALES:	CONCEPT DESIGN:	PROD. DESIGN:	PAGE NO:
NJ	CH	CH	1 of 1

ES&A SIGN & AWNING

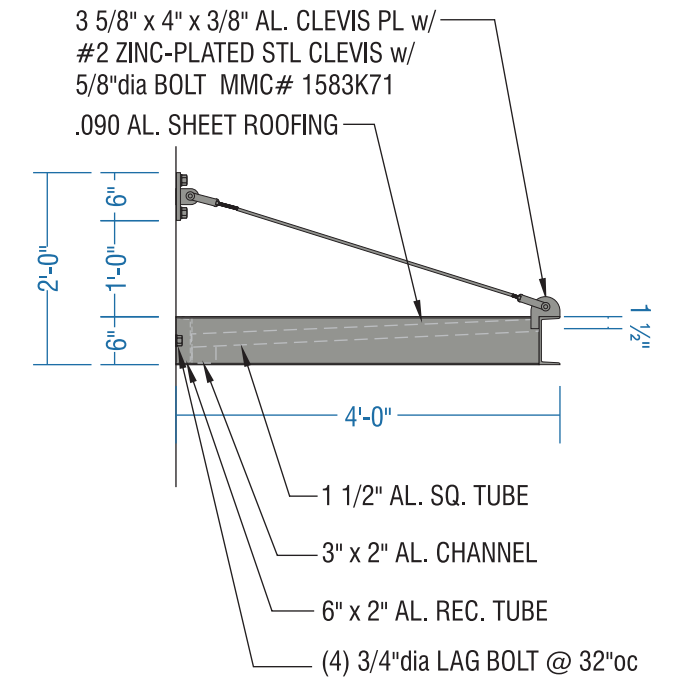
89975 PRAIRIE RD. | EUGENE, OR 97402

P 541.485.5546 | F 541.485.5813

CANOPY FRONT VIEW
SCALE: 1/2" = 1'-0"



CANOPY SIDE VIEW
SCALE: 1/2" = 1'-0"



6" ALUMINUM C-CHANNEL FRONT & SIDES, WITH FLANGE POINTING OUT.

2" X 6" ALUMINUM REC. TUBE AT BACK OF CANOPY.

.090 ALUMINUM SHEET ROOFING MOUNTED INSIDE C-CHANNEL & DRAINAGE GUTTER CHANNEL SLOPED TOWARDS BUILDING.

TURNBUCKLES, 5/8" ZINC PLATED STEEL ROD SUPPORTS WITH #2 ZINC PLATED STEEL CLEVIS & PIN

ATTACHED TO 6" X 6" X 3/8" ALUMINUM PLATE/BRACKET AT WALL.

PAINT ENTIRE CANOPY, BRACKETS, SUPPORTS DB CUSTOM GREY.

INSTALLATION BY G.C.

ES&A WILL ORGANIZE SHIPPING TO THE GC'S PREFERRED LOCATION ON DUTCH BROS SHIPPING ACCOUNT.

COLOR CODE

DB CUSTOM GREY